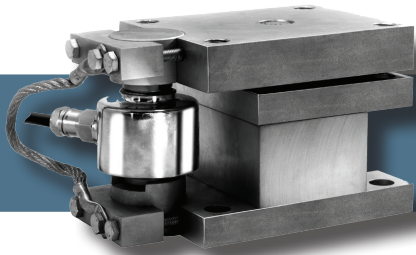


# ADVANTAGE LINE - HIGH CAPACITY LOW PROFILE



## HI LPRC03 Hermetic Load Point Assembly Compression

The Hardy HI LPRC03 ADVANTAGE® Series, Low Profile, rocker load point systems are specially designed for high capacity hopper and tank weighing. They are easy to install by bolting or welding, have a lower profile, and provide more lift off protection than previous designs.

Each rocker load point consists of either plated or stainless steel mounting hardware and a stainless steel mV/V & mV/V/ohm matched load sensor with true IP68 hermetic sealing, Hardy's exclusive C2® calibration, a ¼ NPT conduit adapter and 30 feet of cable for 110K and less and 50 feet of cable for 220K and above. Each assembly provides built-in checking, lift off protection and is specifically designed to eliminate the effects of unwanted forces to provide exceptional accuracy. A grounding strap, fixed color code wiring label and installation manual are provided with each load point. The mounting hardware is available in either stainless or zinc plated or cast steel. The sensors have an IP rating of IP68/IP69K and are NTEP Class III.

The HI LPRC03 rocker load point assembly is available in the following standard capacities: 66K, 88K, 110K, 220K, 330K and 660K lbs.

### SPECIFICATIONS

Rated Output (ES)	2±0.002mV/V
Non-Linearity	< ±0.012 % R.O.
Hysteresis	< ±0.025 % R.O.
Zero Balance	< ±1.0 % R.O.
Creep @ 5 Min.	< ±0.010 % R.O.
Temp Effect Output	< ±0.0014 % R.O./C
Temp Effect Sensitivity	< ±0.0005 % R.O./C
Input Resistance	1150 ± 50 ohm
Output Resistance	1000 ± 10 ohm
Insulation Resistance	>5000 Mohm
Excitation	5 - 15 vdc
Safe Load Limit	200 % Emax
Ultimate Load	300 % Emax
Safe Side Load LC	100% Emax
Max Lift Off*	40.4Klbs (66K-88K cap) 67.4Klbs (110K-120K cap) 89.9Klbs (330K cap) 134.9Klbs (660K cap)
Warranty	Two years

### ORDERING INFORMATION

Load Point can be ordererd with Stainless Hardware (-43C) as shown ,or zinc plated or cast steel Hardware for 66K - 88K (-45C), or painted steel for 110K and over (-41C)  
Shipping Weight for Load Point approx. 30-565 lbs., Sensor 4 - 60 lbs.

Capacity		Model #	Model#
lbs	mt	FIXED Assy	SPARE Load Sensor
66K	30	HI LPRC03-66K-43C	HIRCH03-66K
88K	40	HI LPRC03-88K-43C	HIRCH03-88K
110K	50	HI LPRC03-110K-43C	HIRCH03-110K
220K	100	HI LPRC03-220K-43C	HIRCH03-220K
330K	150	HI LPRC03-330K-43C	HIRCH03-330K
660K	300	HI LPRC03-660K-43C	HIRCH03-660K

Load points can be ordered as a system rather than ordering individual components.

### 3 POINT SYSTEMS

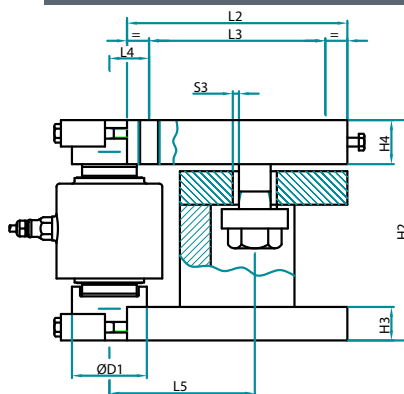
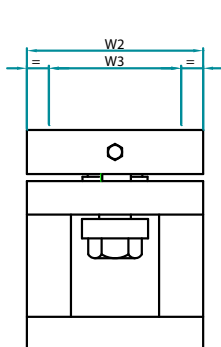
CAPACITY		MODEL#
lbs	mt	
198K	90	HI 3RA198K-43
264K	120	HI 3RA264K-43
330K	150	HI 3RA330K-43
660K	300	HI 3RA660K-43
990K	450	HI 3RA990K-43
1980K	900	HI 3RA1980K-43

### 4 POINT SYSTEMS

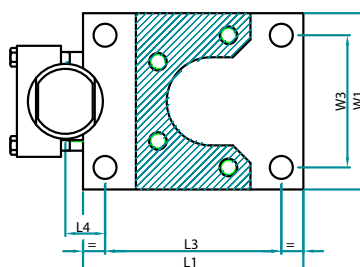
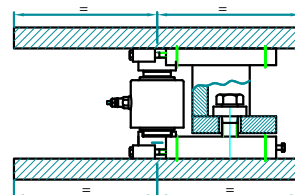
CAPACITY		MODEL#
lbs	mt	
264K	120	HI 4RA264K-43
352K	160	HI 4RA352K-43
440K	200	HI 4RA440K-43
880K	400	HI 4RA880K-43
1320K	600	HI 4RA1320K-43
2640K	1200	HI 4RA2640K-43

## ADVANTAGE Load Point Outline

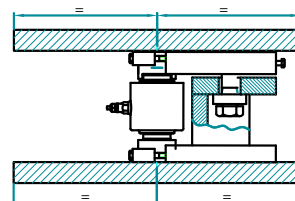
**HI LPRC03 Series**  
**66K lbs - 88K lbs**  
 Other sizes available on website



THE WEIGH MODULE CAN ALSO BE INSTALLED UP SIDE DOWN AS SHOWN BELOW.



THE WEIGH MODULE NORMALLY INSTALLED



C2 WIRE COLOR CODE FLAG LABEL IS FOUND APPROX. 10 IN. FROM END OF SENSOR'S CABLE

EXCITATION +	RED
EXCITATION -	BLACK
SIGNAL +	GREEN
SIGNAL -	WHITE
C2+	GRAY
C2 -	VIOLET
SHIELD	YELLOW

WARNING: NEVER cut load sensor cable

CABLE LENGTH: 30 FEET OF CABLE FOR 110K AND LESS, AND 50 FEET OF CABLE FOR 220K

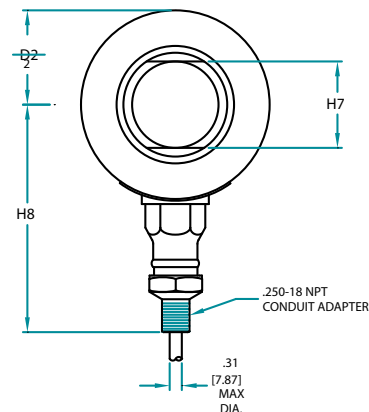
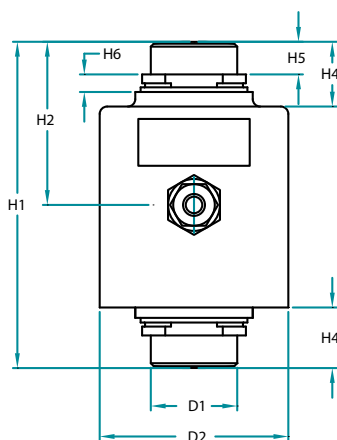
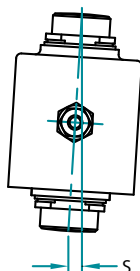
Load cell type/capacity	D1	D2	H2	H3	H4	L1	L2	L3	L4	L5	W1	W2	W3	S3	T2	Max lift off force Klbs	Max side force Klbs	Weight excl. loadcell Lbs
HIRCH03-66K & 88K	60	22	200	29	40	210	210	170	30	125	150	150	110	6	M20	40.4	20.2	73
HIRCH03-110K & 220K	85	26	250	38	50	250	250	200	45	165	200	200	150	7	M24	67.4	33.7	144

Load cell type/capacity	D1	D2	H2	H3	H4	L1	L2	L3	L4	L5	W1	W2	W3	S3	T2	Max lift off force Klbs	Max side force Klbs	Weight excl. loadcell Lbs
HIRCH03-330K	110	33	300	40	60	300	290	230	60	205	260	250	190	8	M30	89.9	44.9	250
HIRCH03-660K	135	39	400	60	70	370	350	280	65	235	320	300	230	10	M36	179.8	67.4	497

## ADVANTAGE Load Sensor Outline

**HI RCH03 Series**  
**66K lbs - 110K lbs**  
 Other sizes available on website

RECOMMENDED MAIN ROCKING DIRECTION



DIMENSIONS- INCHES & [mm]

TOLERANCES: ±0.015 [0.4] UNLESS OTHERWISE STATED

MODEL	CAPACITY LBS [T]	H1	H2	H3	H4	H5	H6	H7	H8	ØD1	ØD2	R	S MAX*	RF **
HI RCH03	66K [30]	5.50 [139.8]	2.75 [69.9]	1.02 [26.0]	1.10 [28.0]	0.55 [14.0]	0.217 [5.5]	1.54 [39.0]	3.88 [98.5]	1.54 [39.0]	3.19 [81.0]	N/A	0.394 [10.0]	7055 LBS [3200Kg]
	110K [50]	7.00 [178.0]	3.50 [89.0]	1.26 [32.0]	1.34 [34.0]	0.67 [17.0]	0.335 [8.5]	1.73 [44.0]	4.28 [108.7]	1.73 [44.0]	3.90 [99.0]	N/A	0.630 [16.0]	11,023 LBS [5000Kg]

800.821.5831

+1 858.278.2900