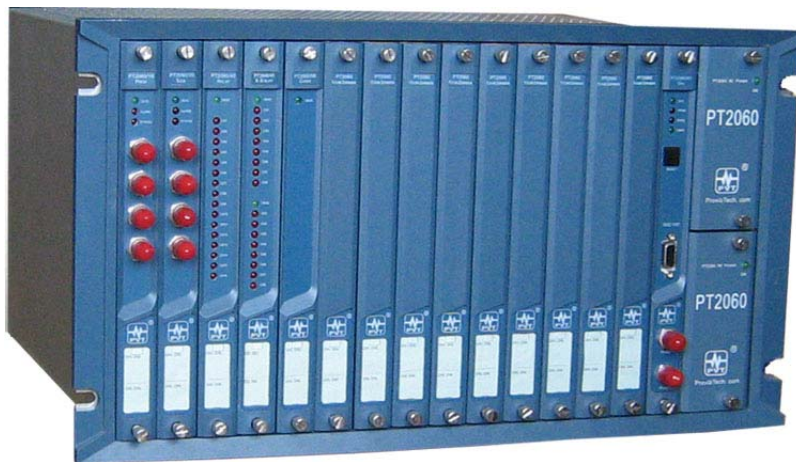




**ProvibTech**  
Innovative Machine Monitoring

## PT2060 Monitor



**ProvibTech, Inc.** 11011 Brooklet Drive, Suite 360, Houston, Texas 77099, USA

Phone: +1-713-830-7601, Fax: +1-281-754-4972, Email: [pvt@provibtech.com](mailto:pvt@provibtech.com) , Web: [www.provibtech.com](http://www.provibtech.com)

COPY RIGHT PROVIBTECH 2007



# Contents

PT2060 Monitor .....	4
Introduction.....	4
PT2060 Features.....	4
PT2060 System Components .....	5
PT2060/10 PROX Proximity Module .....	6
Specifications .....	6
Ordering Information .....	8
Back Panel Connectors Layout.....	8
Field-wiring Diagram.....	9
PT2060/20 SEIS Seismic Module .....	13
Specifications .....	13
Ordering Information .....	15
Back Panel Connectors Layout.....	15
Field-wiring Diagram.....	16
PT2060/30 TEMP Temperature Module.....	20
Specifications .....	20
Ordering Information .....	21
Back Panel Connectors Layout.....	21
Field-wiring Diagram.....	22
PT2060/40 RELAY Module .....	24
Specifications .....	24
Ordering Information .....	25
Back Panel Connectors Layout.....	25
PT2060/43 R-RELAY Redundant-Relay Module .....	26
Channels of Redundant Relay Module Definition .....	26
Specifications .....	27
Ordering Information .....	27
Back Panel Connectors Layout.....	27
PT2060/53 O-SPEED Over-speed Module .....	28
Specifications .....	28
Ordering Information .....	29
Back Panel Connectors Layout.....	30
Field-wiring Diagram.....	31
PT2060/80 CM Condition Monitoring Module .....	33
Specifications .....	34
Ordering Information .....	34
Field-wiring Diagram.....	35
PT2060/90 POWER Power Supply Module .....	37
Specifications .....	37
Ordering Information .....	37
Back Panel Connectors Layout.....	38
Field-wiring Diagram.....	39
PT2060/91 SIM System Interface Module.....	41
Specifications .....	41
Ordering Information .....	42
Back Panel Connectors Layout.....	44
Field-wiring Diagram.....	45
PT2060/96 COMM Communication/ Phase Reference Module.....	48
Specifications .....	48
Ordering Information .....	49
Back Panel Connectors Layout.....	50
Field-wiring Diagram.....	51
PT2060/98 DISP Display System.....	52



## *PT2060 Monitor*

---

Specifications .....	52
Ordering Information .....	52
PT2060/99 System Rack .....	54
Specifications .....	54
Ordering Information .....	55
PT2060-CFG System Configuration Software .....	56
General Information.....	56
Ordering Information .....	56
Appendix: TM900 Power Converter .....	58
Specifications .....	58
Ordering Information .....	58



### PT2060 Monitor

#### Introduction

PT2060 is ProvibTech's newly released monitor that highly reliable, fully digital and modbus ready. PT2060 utilizes the advanced electronics technology and adopt the concept of programmable logic controller. PT2060 is integrated highly, with high channel density, and multiple redundancies.

There are two sorts of PT2060 rack: a standard 19" rack and an 12" rack. For a standard 19" rack, it is capable of supporting up to 48 channels. The PT2060 provides the industry's highest channel density in a standard 19" rack. For an 12" rack, it can contain 24 channels at most. PT2060 monitor system uses the standard PLC logic, it make configuration easy. With full API 670 compliance, triple channel redundancy and redundancy for power supply inputs, communications and relay outputs, the PT2060 monitor provides a level of reliability that is unsurpassed.

The newly released PT2060 has both the analog interface with 4-20mA output, Buffered output, Trip-multiply, Alarm-inhibit, and also digital interface with Modbus connection. Modbus will offer to our customer additional information such as: sensors status, alarm set-point, full-scale range, up-level controller changing set-point, gap voltage, alarm list and system event list. All these are added value to our customer. Let customer better understanding their system status and better control the system performance.

#### **Easy to Program**

The PT2060-CFG is the "easy to use" system configuration software tool used to set up and monitor the PT2060 system.

#### **Stand Alone or Networked Rack Interconnection**

The PT2060 can operate as a single rack or multiple system racks may be networked together via Modbus.



#### **Redundancy**

The PT2060 is designed for redundant power supply inputs, relay outputs and communications with an option for triple redundant channels.

#### PT2060 Features

- ✓ Fully digital
- ✓ Highest channel in a standard 19" rack - 48 channels
- ✓ Triple redundant channels
- ✓ Redundancy for relays, power supply inputs communications
- ✓ RS232/RS485 communication port
- ✓ Ethernet communication port
- ✓ Compatible with most sensors and probes (regardless of manufacturer)
- ✓ Intuitive and easy to configure
- ✓ Programmable 16 channel relay modules
- ✓ Optional local panel display



## PT2060 Monitor

### PT2060 System Components

Model Number	PT2060/99	PT2060/90	PT2060/91	PT2060/96	PT2060/98	PT2060-CFG
	System Rack	Power Supply Module	System Interface Module	Comm/Phase Reference Module	Display System	Configuration Software
Required system component	•	•	•	Optional	Optional	•
There are two sorts of PT2060 rack: a standard 19" rack and a 12" rack	•					
Provides system power to the PT2060/99 system rack and all modules installed in the system rack. (2) PT2060/90 Power supply modules are required for redundancy		•				
This module provides (1) active Modbus communication port and Ethernet port, (2) phase reference channels and historical buffer for the PT2060 system rack			•			
This module provides (1) additional Modbus communication port (either RS232 or RS485) and Ethernet port.				•		
This is a touch-panel display loaded with PCM370 vibration analysis system software					•	
System configuration software tool used to configure and monitor the PT2060 system						•

Model Number	PT2060/10	PT2060/20	PT2060/30	PT2060/53	PT2060/40	PT2060/43
<b>Process Signal and Relay Modules</b>	Proximity	Seismic	Temperature	Over speed	Relay	Redundant Relay
<b>Channels per Card</b>	4	4	8	1*	16	8
<b>Type of Measurement and (Sensor)</b>						
Radial Shaft Vibration (Proximity)	•					
Axial Thrust Position (Proximity)	•**					
Rotation Speed (Proximity) *2	•					
Differential Expansion (Proximity)	•**					
Eccentricity (Proximity) *2	•					
Low Frequency Oscillation (Proximity)	•					
Acceleration (Accelerometer)		•				
Velocity (Accelerometer, Velocity)		•				
Displacement (Velocity Transducer)		•				
Case Expansion (LVDT Sensor)		•				
Temperature (RTD)			•			
Over Speed Protection (Proximity and/or Magnetic Sensor)				•		
Relay Output (16 SPDT Relays)					•	
Redundant Relay Output ( 8 DPDT)						•

**Notes:**

- \* 2 Indicates for this measurement there are only (2) channels per module.
- \* Indicates that channel 3 and 4 of PT200/53 module can be used as PT2060/10 module channel.
- \*\*Indicates that only with one probe option is available.



## PT2060/10 PROX Proximity Module

ProvibTech's PT2060/10 PROX proximity module is a 4 channels module which processes the incoming signal from the proximity probe system, compares it with the alarm set-point and outputs the appropriate status information for the following vibration measurements:

- ✓ Radial vibration: monitoring shaft vibration, single or dual XY **(4 channels)**
- ✓ Axial/ Thrust position: monitoring shaft thrust position, with 5mm, 8mm, and 11 mm proximity probes **(4 channels)**
- ✓ Eccentricity **(2 channels)**
- ✓ Differential expansion **(4 channels)**
- ✓ Low-frequency vibration **(4 channels)**
- ✓ Speed output **(2 channels)**
- ✓ Zero speed and speed **(2 channels)**
- ✓ Reverse rotational protection output **(2 channels)**

The PT2060/10 PROX module has the ability to be grouped into 2 groups. Each group can be programmed independently and used for different functions. For example, channel one and channel two can be a XY measurement for radial shaft vibration and channels three and four can be programmed to measure eccentricity.

The PT2060/10 PROX module is designed to work with virtually any proximity probe systems (including from other manufacturers). Proximity probe systems which are compatible with the PT2060/10 PROX module include: TM0105, TM0180, TM0110, TM0120, 3000, 7200, 3300 and 3300XL series of proximity probe systems with the following probe tip sizes: 5mm, 8mm, 11mm, 25mm and 50mm.

The PT2060/10 PROX module also provides additional information such as GAP voltages, module status, alarm status, alarm history and system events. This information can be accessed via Modbus or the configuration software.

The PT2060/10 PROX module is also equipped with local status indication. There are three LEDs which display the status of the monitoring channels.



- ✓ OK / IO LED indicates that both the module and the proximity probe systems in the field are working
- ✓ Alarm LED indicates the current alarm status of the module.
- ✓ Bypass LED indicates the channels have been programmed to be in the Bypass mode.

### Specifications

#### Electrical

Power supply:

Internally converted by the rack power supply module

8.0W total typical for this module

Signal Input:

Proximity probes

Start at 1 RPM (0.0167Hz) for proximity probes

Magnetic pickup

Start at 200 RPM (3.3Hz) for magnetic pickup



## Electrical continued

Input impedance:  
> 20K $\Omega$

Sensitivity:  
8mm and 5mm probes: 8.0 mV/ $\mu$ m (200mV/mil)  
11mm probe: 4.0 mV/ $\mu$ m (100mV/mil)  
25mm probe: 0.8 mV/ $\mu$ m (20mV/mil)  
Or any other Sensitivity according to probes chosen by customer

Radial Vibration Signal Conditioning:  
Frequency Response:  
240 to 240,000 RPM (4 to 4.0 kHz), -3dB  
Accuracy:  
<  $\pm 1\%$  FS @25 $^{\circ}$ C

Thrust Position Signal Conditioning:  
Accuracy:  
<  $\pm 0.5\%$  FS @25 $^{\circ}$ C

Eccentricity Signal Conditioning:  
Frequency Response:  
1 to 600RPM (0.0167 to 10.0Hz), -3dB  
Accuracy:  
<  $\pm 1\%$  FS @25 $^{\circ}$ C

Differential Expansion Signal Conditioning:  
Accuracy:  
<  $\pm 0.5\%$  FS @25 $^{\circ}$ C

Speed / Zero speed Signal Conditioning:  
Frequency Response:  
The PT2060/10 module will support 1 - 255 events per revolution with a maximum full scale range of 60000 RPM and a maximum input frequency of 10 kHz. Minimum input frequency for proximity transducers is 0.0167 Hz (1 RPM for 1 event/revolution) and for magnetic pickups (Speed signal conditioning only) is 3.3 Hz.  
Accuracy:  
The greater of  $\pm 0.01\%$  FS or +/- 2 RPM @25 $^{\circ}$ C

Low Frequency Oscillation Signal Conditioning:  
Frequency Response:  
30 to 6,000RPM (0.5 to 100Hz), -3dB  
Accuracy:  
<  $\pm 1\%$  FS @25 $^{\circ}$ C

Reverse rotational speed Signal Conditioning:  
Frequency Response:  
The PT2060/10 module will support 1 - 255 events per revolution with a maximum full scale range of 60000 RPM and a maximum input frequency of 10 kHz. Minimum input frequency for proximity transducers is 0.0167 Hz (1 RPM

for 1 event/revolution).  
Accuracy:  
+/-0.1RPM (< 100RPM)  
+/-1.0RPM (> 100 and < 10,000RPM)  
0.01% (> 10,000 and < 60,000RPM)

Static and Status Values:  
Each of the options for this monitor module has been defined with static values. Those values can be accessed via the 4-20mA output or from the digital communication protocols.

Radial Vibration:  
Direct (peak to peak), GAP, OK, Alert, Danger, Bypass, Trip-multiply

Thrust Position:  
Direct (average), GAP, OK, Alert, Danger, Bypass

Differential Expansion:  
Direct (average), GAP, OK, Alert, Danger, Bypass

Eccentricity:  
Direct, GAP, OK, Alert, Danger, Bypass

Speed/Zero speed/ Reverse rotational speed:  
Direct, GAP, OK, Alert, Danger, Bypass

Low Frequency Oscillation:  
Direct (peak to peak), GAP, OK, Alert, Danger, Bypass, Trip-multiply

Overall in 4-20mA output:  
Maximum distance:  
300m (1000ft)  
Proportional to monitor's full-scale. Each channel has its own overall vibration output. The short of the 4-20mA will not affect system performance.

Maximum load:  
300 $\Omega$

Resolution:  
Less than 0.33% FS

Buffered Output:  
On PT2060/10-Front panel, each channel has one BNC connector. The output is the unfiltered raw signal.  
Output impedance:  
550 $\Omega$   
Maximum distance:  
300m (1000ft)

Transducer Power:  
-24VDC, current limited. Less than 50mA each channel.

Alarm:  
Alarm set-point:  
Each channel has two alarm set-points which



## Electrical continued

can be field adjusted from 0 to 100% FS.

Set-point accuracy:

Better than 0.5% FS

Set-point repeatability:

Within 0.5% FS

Alarms:

Normally latching or normally non-latching

Alarm delay:

Alert delay can be set from 1 to 60 seconds with time interval of 1 second.

Danger delay can be set from 1 to 60 seconds with time interval of 1 second.

Danger delay also includes a 0.1 second option.

LED Indicators:

OK / IO: green. On, off, flash

Alarms: red

Bypass: red

Approvals:

CE;

CSA:

Non-incendive, class I, div.2, GrpABCD, T4  
-40°C to +75°C

Certification Number: 2011996

## Environmental

Temperature:

Operation: -20°C to +65°C

Storage: -40°C to +85°C

Humidity:

95% non-condensing

## Physical

Each module comes with two components: the front panel assembly and the back panel assembly.

Dimensions and Location:

241mm (9.5in) X 24.5mm (0.96in)

For 19" rack, they can be mounted in any slot from 1 to 12.

For 12" rack, they can be mounted in any slot from 1 to 6.

Weight:

1.0 kg (2.0 lbs)

## Ordering Information

PT2060/10-AX

AX: Back-panel IO module

A0: Basic IO module

Optional Accessories:

PT2060-001000: PT2060/10 Front panel

PT2060-001001: PT2060/10 Back panel

## Back Panel Connectors Layout



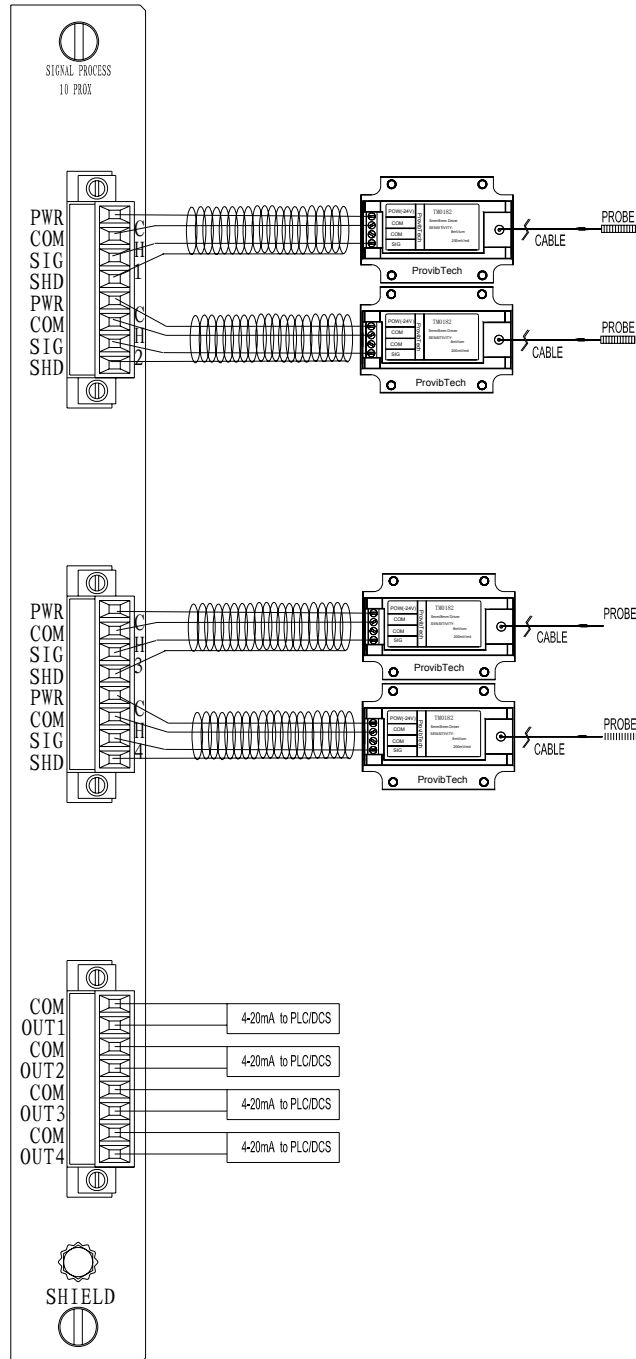




# PT2060 Monitor

## Field-wiring Diagram

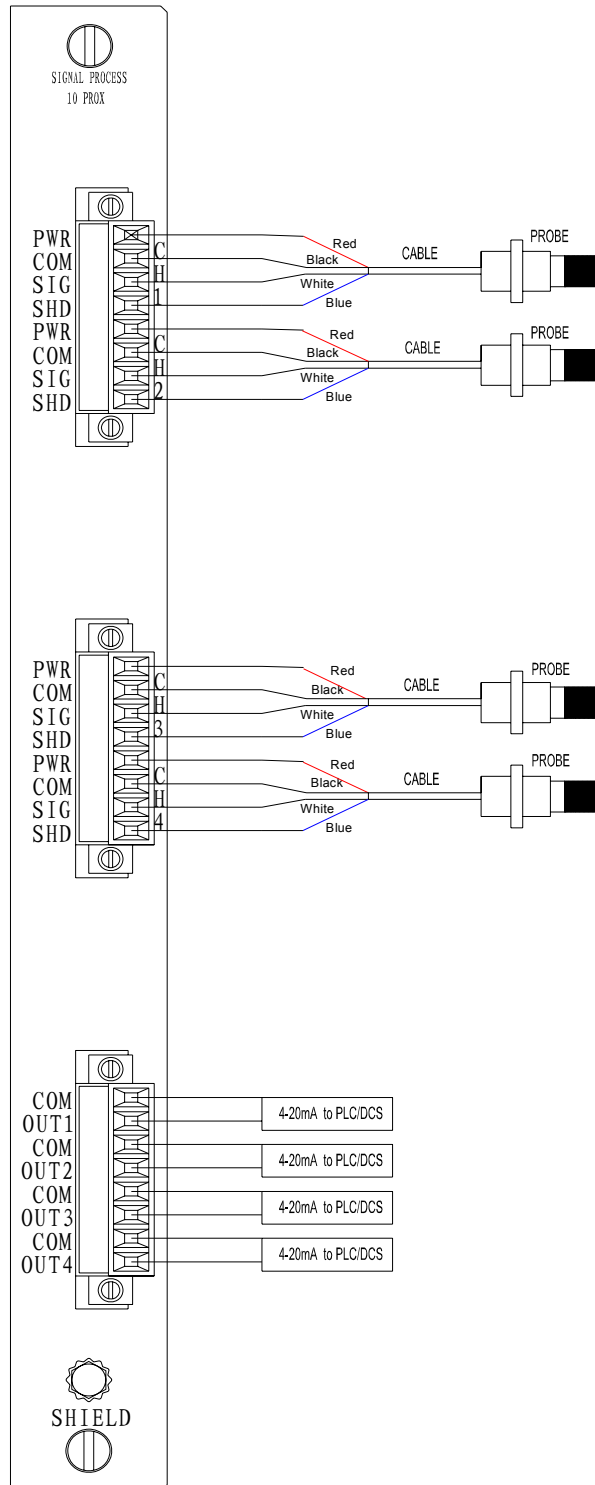
For all 5mm, 8mm and 11mm Probe Systems





# PT2060 Monitor

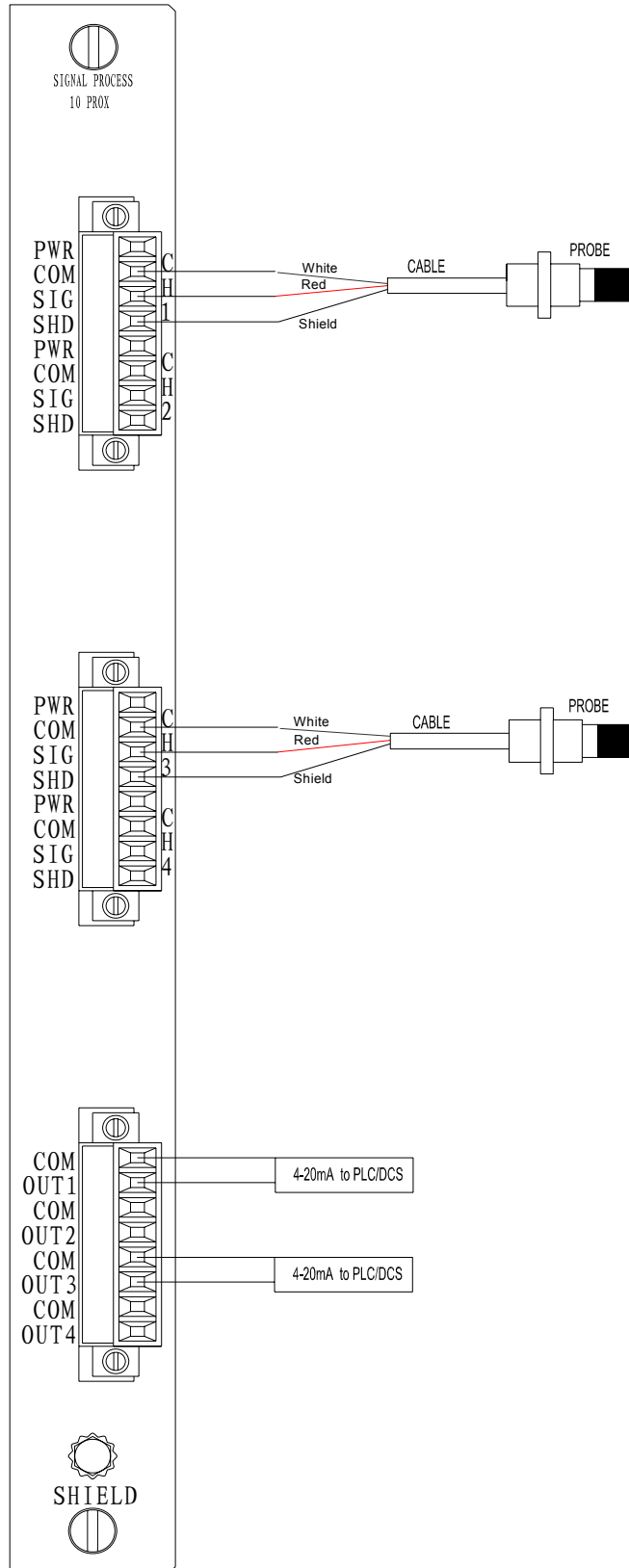
For 25mm Probe System





# PT2060 Monitor

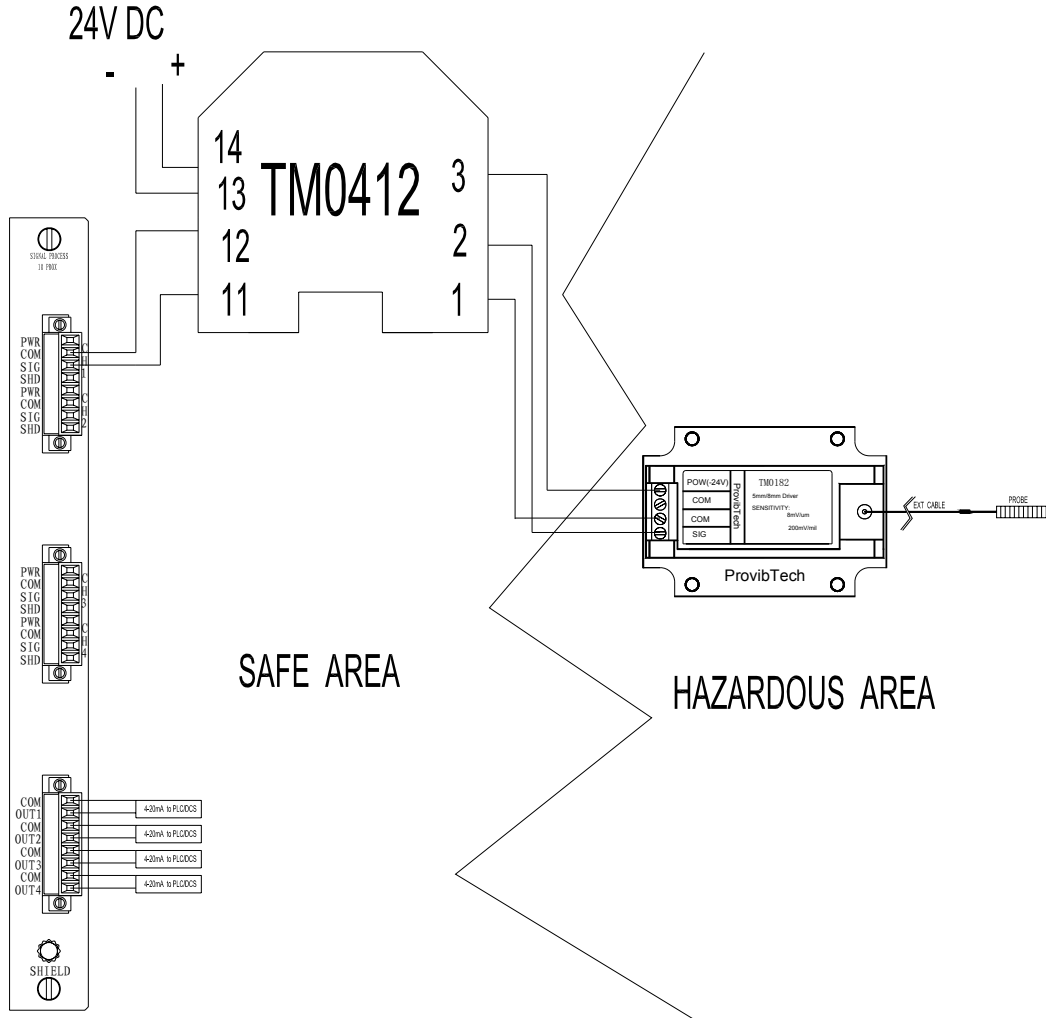
## For Magnetic Pickup Systems





Field-wiring Diagram for Hazardous Area Application

TM0412 used as the barrier. For other barriers, please consult ProvibTech for tech support.





## PT2060/20 SEIS Seismic Module

ProvibTech's PT2060/20 SEIS seismic module will process the incoming signal from the case mounted (seismic) sensors, compare it with the alarm set-point and output the appropriate status information for the following type of vibration measurements:

- ✓ Acceleration, Velocity and Displacement  
**(4 channels)**
- ✓ Low Frequency acceleration, Velocity or Displacement **(4 channels)**
- ✓ Case Expansion
  - Case expansion output—paired **(2 channels)**
  - Case expansion output—single **(4 channels)**

The PT2060/20 SEIS module has the ability to be grouped into 2 groups. Each group can be programmed independently and used for different functions. For example, channel one and two can be a velocity measurement and channels three and four can be programmed to measure case expansion.

The SEIS module has a built in integrator which converts an accelerometer input signal to velocity output or a velocity input into a displacement output.

**Note:** Integrator type can not work in low frequently condition.

The PT2060/20 SEIS module is designed to work with virtually any seismic sensor (including from other manufacturers). These sensors include: accelerometers (TM0782A), velocity transducers (TM079V) and low frequency displacement sensors (TM079VD).

The PT2060/20 SEIS module also provides additional information such as, module status, alarm status, alarm history and system events. This information can be accessed via Modbus or the configuration software.

The PT2060/20 SEIS module is also equipped with local status indication. There are three LEDs which display the status of the monitoring channels.

- ✓ OK / IO LED indicates that both the module and the seismic sensor in the field are working.



- ✓ Alarm LED indicates the current alarm status of the module.
- ✓ Bypass LED indicates the channels have been programmed to be in the Bypass mode.

### Specifications

#### Electrical

Power supply:

Internally converted by the rack power supply module

8.0W total typical for this module

Current mode sensor power:

4.0mA nominal @ 25°C

LVDT sensor power:

20VDC, current limited. Less than 50mA on each channel

Signal Input:

Up to four sensors

Input impedance:

> 20KΩ

Nominal Sensitivity:

Accelerometer:

100mV/g (TM0782A) or similar sensor



## Electrical Continued

### Velocity sensor:

4 mV/mm/sec (100mV/in/sec). TM0793V type or similar sensor

### Displacement sensor:

4mV/ $\mu$ m (100 mV/mil). TM079VD type or similar sensor

### LVDT Sensor:

0.4V/mm (10V/in): TM0602-A01

0.2V/mm (5V/in): TM0602-A02

0.1V/mm (2.5V/in): TM0602-A03

Any sensitivity specified.

### Signal Conditioning:

Vibration	Frequency	Response	(normal frequency):
-----------	-----------	----------	---------------------

#### Acceleration:

240 to 240,000RPM (4 to 4.0 kHz), -3dB

#### Velocity:

120 to 120,000RPM (2 to 2.0 kHz), -3dB

Vibration Frequency Response (low frequency for non-integral):

#### Acceleration:

30 to 6,000RPM (0.5 to 100.0Hz), -3dB

#### Velocity:

30 to 6,000RPM (0.5 to 100.0Hz), -3dB

#### Displacement:

30 to 6,000RPM (0.5 to 100.0Hz), -3dB

### Accuracy:

<  $\pm 1\%$  FS @25°C

### Signal processing:

The input signal can be processed with:

Peak

Peak to peak

RMS

DC

### Static and Status Values:

Each of the options for this monitor module has been defined with static values. Those values can be accessed via the 4-20mA output or from the digital communication protocols.

### Vibration:

Direct, GAP, OK, Alert, Danger, Bypass, Trip-multiply

### Case Expansion:

Direct, GAP, OK, Alert, Danger, Bypass

### Overall in 4-20mA output:

Max transfer distance: 300m (1000ft)

Proportion to the monitor full scale. Each channel

has its own overall vibration output. The short of the 4-20mA will not affect system performance.

### Maximum load:

300 $\Omega$

### Resolution:

Less than 0.33% FS

### Buffered Output:

On the PT2060/20-Front panel, each channel has one BNC connector. The output is the unfiltered raw signal.

### Max transfer distance:

300m (1000ft)

### Output impedance:

550 $\Omega$

### Alarm:

#### Alarm set-point:

Each channel has two alarm set-points which can be field adjusted from 0 to 100% FS.

#### Set-point accuracy:

Better than 0.1% FS

#### Set-point repeatability:

Within 0.1% FS

#### Alarms:

Normally latching or normally non-latching

#### Alarm delay:

Alert delay can be set from 1 to 60 seconds with time interval of 1 second

Danger delay can be set from 1 to 60 seconds with time interval of 1 second

Danger delay also includes a 0.1 seconds option

### LED Indicators:

OK / IO: green, on off or flash

Alarms: red

Bypass: red

### Approvals:

CE;

CSA:

Non-incendive, class I, div.2, GrpABCD, T4  
-40°C to +75°C

Certification Number: 2011996

## Environmental

### Temperature:

Operation: -20°C to +65°C

Storage: -40°C to +85°C

### Humidity:

95% non-condensing



## PT2060 Monitor

### Physical

Each module comes with two components: the front panel assembly and the back panel assembly.

Dimensions and Location:

241mm (9.5in) X 24.5mm (0.96in)

For 19" rack, they can be mounted in any slot from 1 to 12.

For 12" rack, they can be mounted in any slot from 1 to 6.

Weight:

1.0 kg (2.0 lbs)

### Ordering Information

PT2060/20-AX

AX: Back-panel IO module

A0: Current mode accelerometers and velocity sensors

A3: Low frequency sensors (TM079VD)

A4: LVDTs

Optional Accessories:

PT2060-002000: PT2060/20 Front panel

PT2060-002001: PT2060/20 Back panel

### Back Panel Connectors Layout

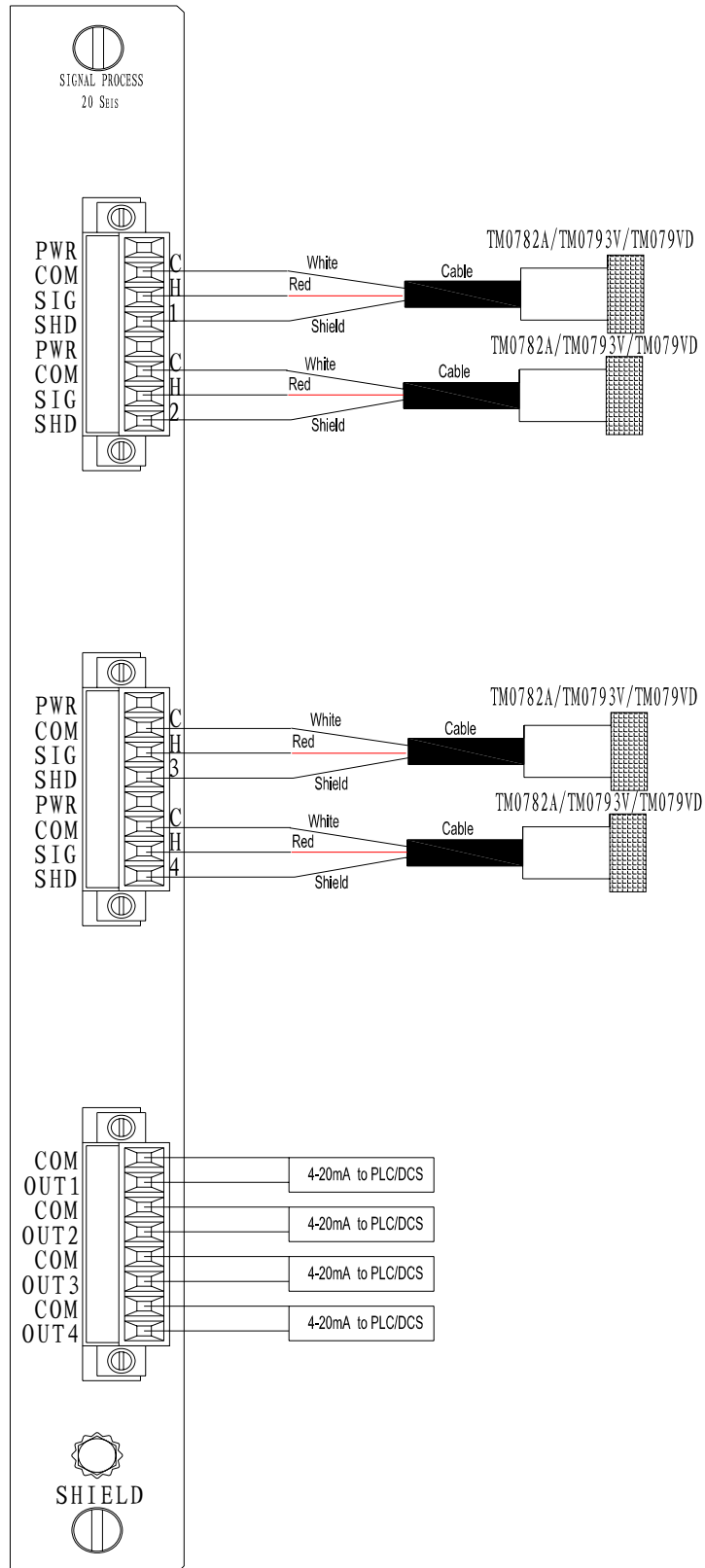




# PT2060 Monitor

## Field-wiring Diagram

For TM0782A/TM0793V/TM079VD or Similar Sensors

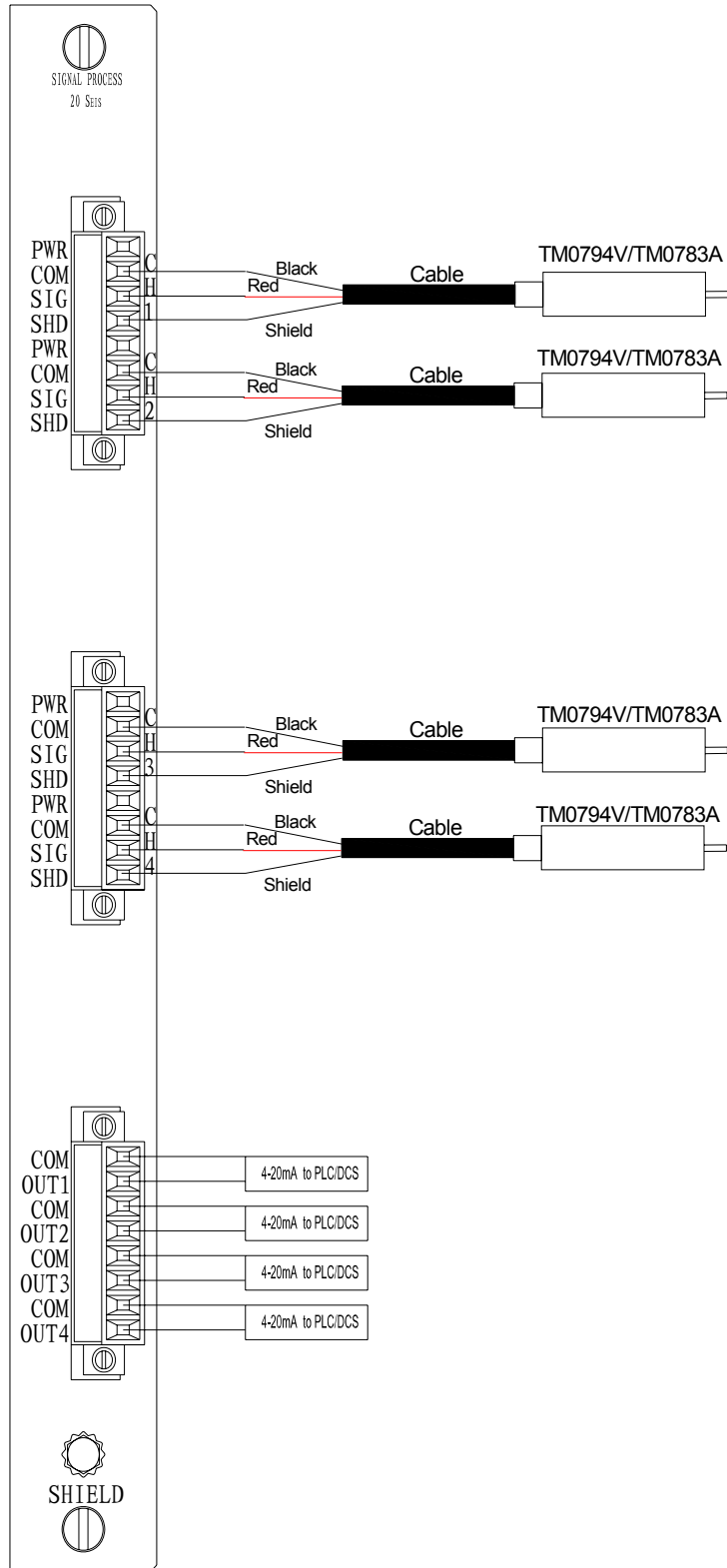






# PT2060 Monitor

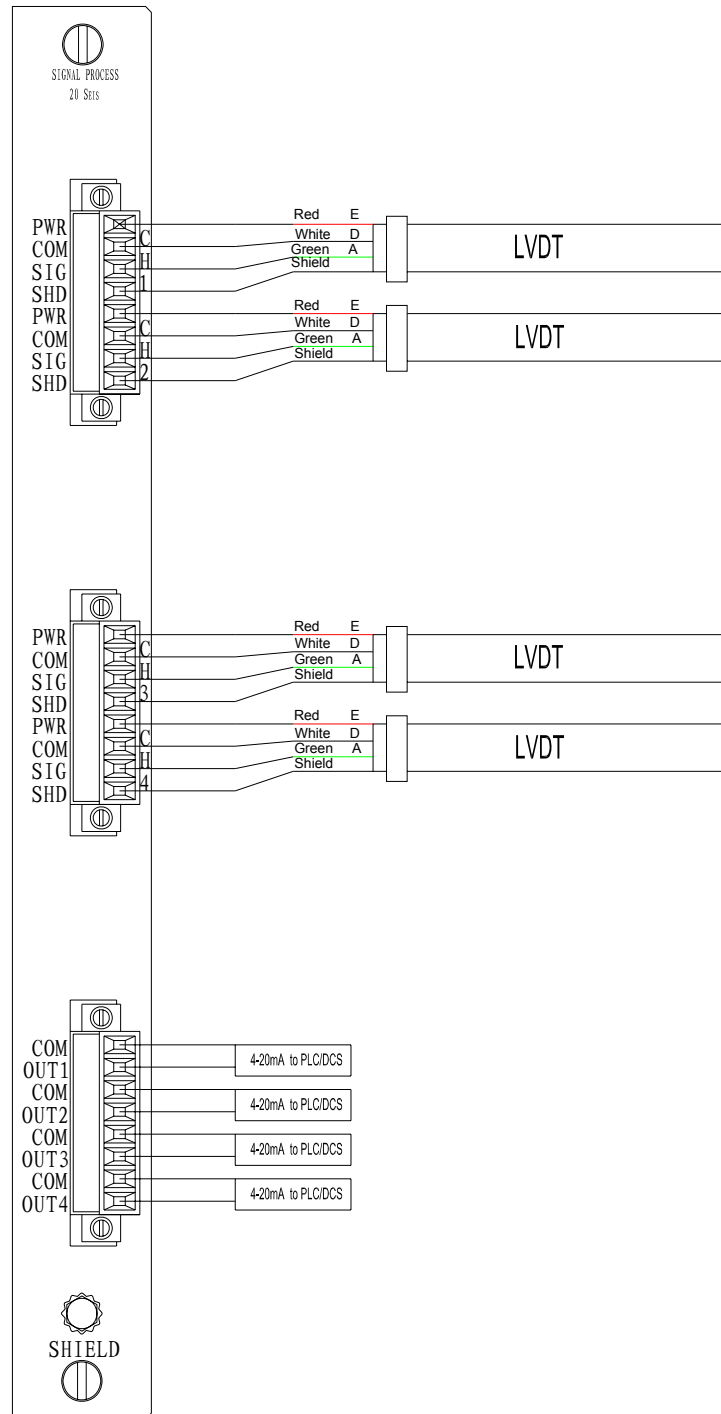
For TM0794V/TM0783A or Similar Sensors





# PT2060 Monitor

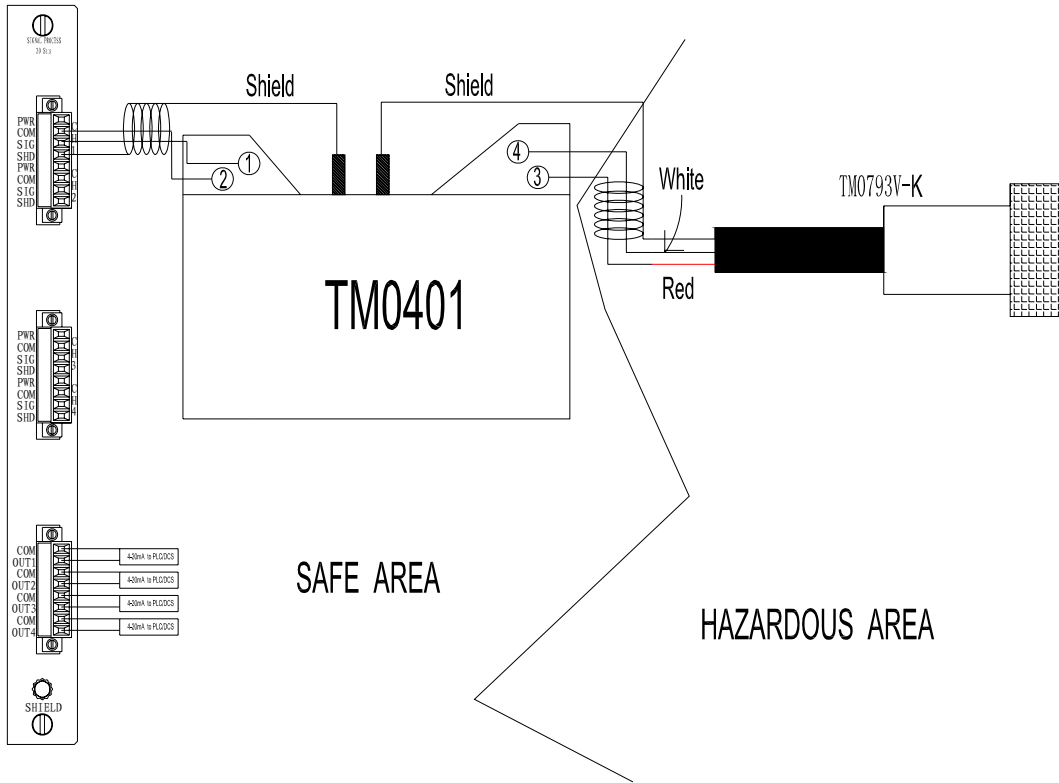
For LVDT Sensor





# PT2060 Monitor

## Field-wiring Diagram for Hazardous Area Application





## PT2060/30 TEMP Temperature Module

ProvibTech's PT2060/30 TEMP temperature module is an 8 channels module which processes the incoming temperature sensor signal, compares it the alarm set-point and outputs the appropriate status information. Acceptable sensor signals include:

- ✓ RTD: 3 wire or 4 wire Platinum

The PT2060/30 TEMP module also provides additional information; such as, module status, alarm status, alarm history and system events. This information can be accessed via Modbus or the configuration software.

The PT2060/30 TEMP module is also equipped with local status indication. There are three LEDs which display the status of the monitoring channels.

- ✓ OK / IO LED indicates that both the module and the RTD probe in the field are working
- ✓ Alarm LED indicates the current alarm status of the module.
- ✓ Bypass LED indicates the channels have been programmed to be in the Bypass mode.

### Specifications

#### Electrical

Power supply:

Internally converted by the rack power supply module

8.0W totally typical for this module

Signal Input:

Up to eight RDT sensors

RTDs:

100Ω 3-wire & 4-wire platinum RTD, (alpha= 0.00385): -200°C to +850°C

100Ω 3-wire & 4-wire platinum RTD, (alpha= 0.00392): -200°C to +700°C

Overall in 4-20mA output:

Maximum distance:

300m (1000ft)

Proportional to monitor's full-scale. Each channel has its own overall temperature output. The short of the 4-20mA will not affect system performance.



Maximum load:

300Ω

Alarm:

Alarm set-point:

Each channel has two alarm set-points which can be field adjusted from 0 to 100% FS.

Alarms:

Normally latching or normally non-latching

Alarm delay:

Alert delay can be set to from 1 to 60 seconds with time interval of 1 second

Danger delay can be set to from 1 to 60 seconds with time interval of 1 second

LED Indicators:

OK / IO: green. On, off, flash

Alarms: red

Bypass: red



## Electrical Continued

Approvals:

CE;

CSA:

Non-incendive, class I, div.2, GrpABCD, T4

-40°C to +75°C

Certification Number: 2011996

## Environmental

Temperature:

Operation: -20°C to +65°C

Storage: -40°C to +85°C

Humidity:

95% non-condensing

## Physical

Each module comes with two components. The front panel assembly and the back panel assembly.

Dimensions and Location:

241mm(9.5in)×24.5mm(0.96in)

PT2060/30 TEMP module can be mounted into any one from slot 1 to slot 12 of 19" rack.

PT2060/30 TEMP module can be mounted in any one from slot 1 to 6 of 12" rack.

Weight:

1.0kg (2.0 lbs).

## Ordering Information

PT2060/30-AX

AX: Back-panel IO module

A0: RTD

Optional Accessories:

PT2060-003000: PT2060/30 Front panel

PT2060-003001: PT2060/30 Back panel

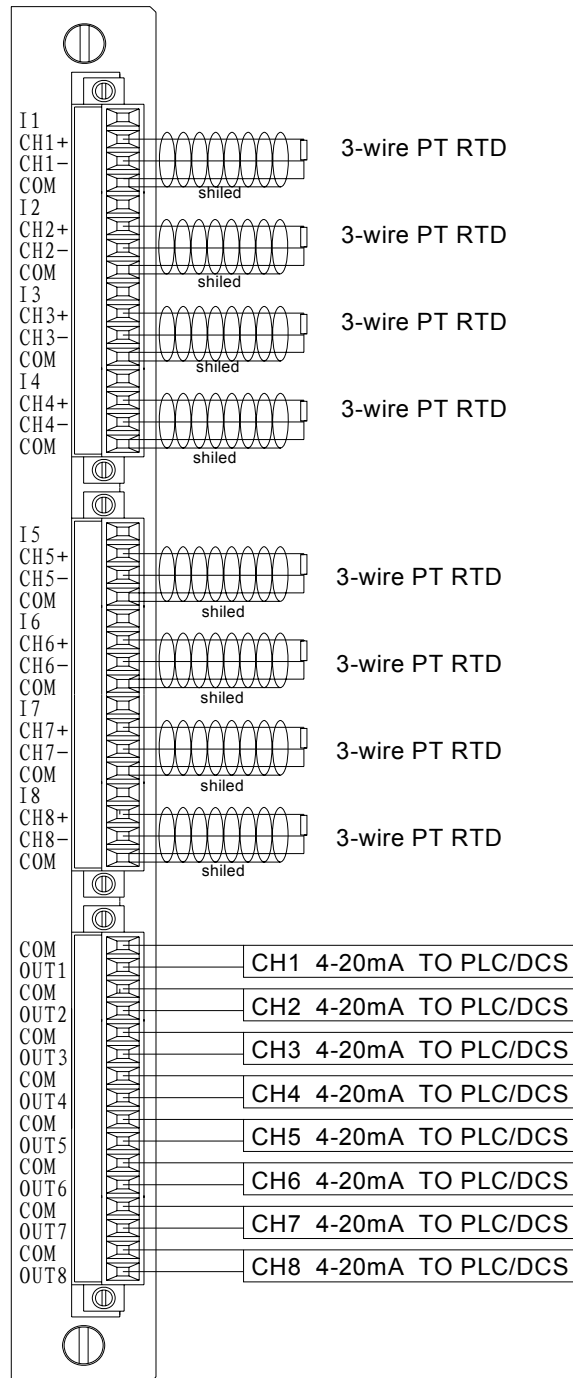
## Back Panel Connectors Layout





Field-wiring Diagram

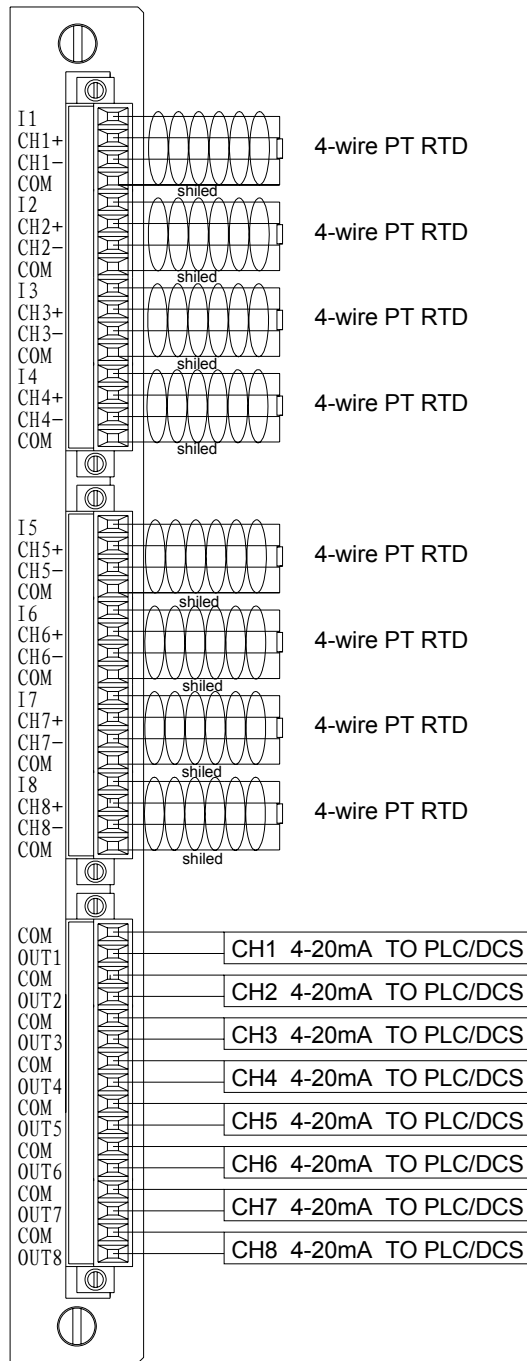
For 3-wire Thermoelectricity Resistance



WARNING: The result will be imprecise if the shield wire is not connected to the COM port.



For 4-wire Thermoelectricity Resistance



WARNING: The result will be imprecise if the shield wire is not connected to the COM port.



## PT2060/40 RELAY Module

ProvibTech's PT2060/40 RELAY module has 16 output channels with (16 SPDT relays). Each relay channel is fully independent and easily programmable to execute the necessary functions.

### Easy to Program

Programming the PT2060/40 RELAY module requires the PT2060-CFG configuration software which is very intuitive and easy to use.

### Alarm Option

Relay alarm has the following options:

- ✓ Latch, non-latching
- ✓ Normally de-energized, normally energized

The PT2060/40 RELAY module is also equipped with local status indication.

- ✓ OK / IO LED indicates that both the module and the channels are working properly
- ✓ 16 Alarm LEDs: indicates the current alarm status for each channel



## Specifications

### Electrical

Power supply:

Internally converted by the rack power supply module

8.0W total typical for this module

Signal input:

Through internal bus or direct connection

Relays:

Seal: Epoxy

Capacity:

5A/240V or 5A/30V, resistance load

Relay type:

SPDT; 16 sets

Isolation:

1000V/DC

LED indicators:

OK / IO: green

Alert: red

Approvals:

CE;

CSA:

Non-incendive, class I, div.2, GrpABCD, T4

-40°C to +75°C

Certification Number: 2011996

### Environmental

Temperature:

Operation: -20°C to +65°C

Storage: -40°C to +85°C

Humidity:

95% non-condensing

### Physical

Each module comes with two components: the front panel assembly and the back panel assembly.

Dimensions and Location:

241mm(9.5in)×24.5mm(0.96in)





PT2060/40 RELAY module can be mounted in any one from slot 1 to slot 12 of 19" rack.

PT2060/40 RELAY module can be mounted in any one from slot 1 to 6 of 12" rack.

Weight:

1.0kg (2.0 lbs).

### **Ordering Information**

PT2060/40-AX

AX: Back-panel IO module

A0: Basic IO module

Optional Accessories:

PT2060-004000: PT2060/40 Front panel

PT2060-004001: PT2060/40/43 Back panel

### **Back Panel Connectors Layout**





### PT2060/43 R-RELAY Redundant-Relay Module

ProvibTech's PT2060/43 R-RELAY module has 8 output channels with 8 DPDT relays. Each relay channel is fully independent and easily programmable to execute the necessary functions.

#### Easy to Program

Programming the PT2060/43 R-RELAY module requires the PT2060-CFG configuration software which is very intuitive and easy to use

#### Alarm Option

Relay alarm can have the following options:

- ✓ Latch, non-latching
- ✓ Normally de-energized, normally energized

The PT2060/43 R-RELAY module is also equipped with local status indication.

- ✓ OK / IO LED indicates that both the module and the channels are working properly
- ✓ 8 Alarm LEDs: indicates the current alarm status for each channel



### Channels of Redundant Relay Module Definition

There are three work mode of PT2060/43 module, the first is PT2060/43 type, the second is PT2060/53 default type, and the third is PT2060/53 individual type. The following table shows Alarm drive logic. If you don't specify, factory default setting of PT2060/43 module of over-speed protection system is PT2060/53 default type.

Relay/LED	PT2060/43	For PT2060/53 (Default type)	For PT2060/53 (Individual type)
CH1	CHANNEL-1-ALT	NOT OK (for 43 module)	NOT OK (for 43 module)
CH2	CHANNEL-1-DNG	NOT OK (for 43 module)	ALT
CH3	CHANNEL-2-ALT	ALT	SLOT1-DNG
CH4	CHANNEL-2-DNG	ALT	SLOT2-DNG
CH5	CHANNEL-3-ALT	DNG	SLOT3-DNG
CH6	CHANNEL-3-DNG	DNG	SLOT1-NOT OK
CH7	CHANNEL-4-ALT	NO USED	SLOT2-NOT OK
CH8	CHANNEL-4-DNG	NO USED	SLOT3-NOT OK



**Specifications**

***Electrical***

Power supply:  
Internally converted by the power supply module  
8.0W total typical for this module

Signal input:  
Through internal bus or direct connection

Relays:  
Seal: Epoxy  
Capacity:  
5A/240V or 5A/30V, resistance load

Relay type:  
SPDT \* 2; 8 sets

Isolation:  
1000V/DC

LED indicators:  
OK / IO: green  
ALARM: red

Approvals:  
CE;  
CSA:  
Non-incendive, class I, div.2, GrpABCD, T4  
-40°C to +75°C  
Certification Number: 2011996

***Environmental***

Temperature:  
Operation: -20°C to +65°C  
Storage: -40°C to +85°C

Humidity:  
95% non-condensing

***Physical***

Each module comes with two components- the front panel assembly and the back panel assembly.

Dimensions and Location:  
241mm(9.5in)×24.5mm(0.96in)

PT2060/43 R-REALY module can be mounted in any one from slot 4, 8, 12 of 19" rack.  
PT2060/43 R-REALY module can be mounted in slot 4 of 12" rack.

Weight:  
1.0kg (2.0 lbs).

**Ordering Information**

PT2060/43-AX  
AX: Back-panel IO module  
A0: Basic IO module

Optional Accessories:  
PT2060-004300: PT2060/43 Front panel  
PT2060-004001: PT2060/40/43 Back panel

**Back Panel Connectors Layout**





## PT2060/53 O-SPEED Over-speed Module

ProvibTech's PT2060/53 O-SPEED Over-speed module processes the incoming sensor signal, compares it with the alarm set-point and outputs the appropriate status information. The PT2060/53 O-SPEED module accepts both proximity probe and magnetic sensor signal inputs. It can output the following measurements:

- ✓ Over-speed protection  
The following function only for channel 3 and channel 4.
- ✓ Radial vibration: monitoring shaft vibration, single or dual XY (**2 channels**)
- ✓ Axial/ Thrust position: monitoring shaft thrust position, with 5mm, 8mm, and 11 mm proximity probes (**2 channels**)
- ✓ Eccentricity (**1 channel**)
- ✓ Differential expansion (**2 channels**)
- ✓ Low-frequency vibration (**2 channels**)
- ✓ Speed output (**1 channel**)
- ✓ zero speed (**1 channel**)
- ✓ Reverse rotational protection output (**1 channel**)

### Redundancy Requirement

If redundancy is required to reach the maximum system reliability the PT2060/53 requires a redundant power supply and a redundant PT2060/43 redundant relay module.

When PT2060/53 module works as a part of redundancy system, only channel 1 is used.

The PT2060/53 O-SPEED module also provides additional information such as, module status, alarm status, alarm history and system events. This information can be accessed via Modbus or the configuration software.

**Note:** Channel 3 and channel 4 of PT200/53 module can be used as PT2060/10 module channel.

The PT2060/53 O-SPEED module is also equipped with local status indication. There are three LEDs which display the status of the monitoring channels.

- ✓ OK / IO LED indicates that both the module and the proximity probe systems in the field are working
- ✓ Alarm LED indicates the current alarm status of



the module

- ✓ Bypass LED indicates the channels have been programmed to be in the Bypass mode

### Specifications

#### Electrical

Power supply:

Internally converted by the rack power supply module

8.0W total typically for each module

Signal Input:

Input impedance:  
> 20K $\Omega$

Input voltage range:  
+10 to -24VDC

Input frequency:

The PT2060/53 module will support 1 - 255 events per revolution with a maximum full scale range of 60000 RPM and a maximum input frequency of 10 kHz.



## Electrical Continued

Start at 1RPM (0.0167Hz) for proximity probes

Start at 200RPM (3.3Hz) for magnetic pickup

### Sensors:

Proximity probes

Magnetic pickups

### Overall in 4-20mA Output:

Maximum distance:

300m (1000ft)

Proportional to monitor full-scale; each channel has its own overall speed output. The short of the 4-20mA will not affect system performance.

### Maximum Load:

300Ω

### Accuracy:

+/-0.1RPM (< 100RPM)

+/-1.0RPM (> 100 and < 10,000RPM)

0.01% (> 10,000 and < 60,000RPM)

### Threshold:

Auto:

> 1.0 V pk-pk

Manual:

> 0.5 V pk-pk. Trigger level can be programmed from -17VDC to -3VDC

### Hysteresis:

0.5 - 2.5 V user selectable

### Alarm Time Delay:

< 30ms for frequency (pulses) over 300Hz

### Rack Space:

Require four slots for an over speed protection system.

### Buffered Output:

On the front panel, each channel has one BNC connector. The output is the unfiltered raw signal.

Output impedance:

550Ω

Maximum distance:

300m (1000ft)

### Proximity Transducer Power:

-24VDC, current limited. Less than 50mA on each channel

### Alarm:

Alarm set-point:

Each channel has single alarm set-point which can be field adjusted from 0 to 100% FS.

Set-point accuracy:

+/-1 RPM

### LED Indicators:

OK / IO: green

Alarms: red

Bypass: red

### Approvals:

CE;

CSA:

Non-incendive, class I, div.2, GrpABCD, T4

-40°C to +75°C

Certification Number: 2011996

## Environmental

### Temperature:

Operation: -20°C to +65°C

Storage: -40°C to +85°C

### Humidity:

95% non-condensing

## Physical

Each module comes with two components: the front panel assembly and the back panel assembly.

### Dimensions and Location:

241mm (9.5in) X 24.5mm (0.96in)

For 19" rack, mounts in any one of the following slots: 1-3, 5-7, 9-11.

For 12" rack, mounts in slot 1-3.

### Weight:

1.0kg (2.0 lbs)

## Ordering Information

PT2060/53-AX

AX: Back-panel IO module

A0: Basic IO module

### Optional Accessories:

PT2060-005300: PT2060/53 Front panel

PT2060-005301: PT2060/53 Back panel



*Back Panel Connectors Layout*

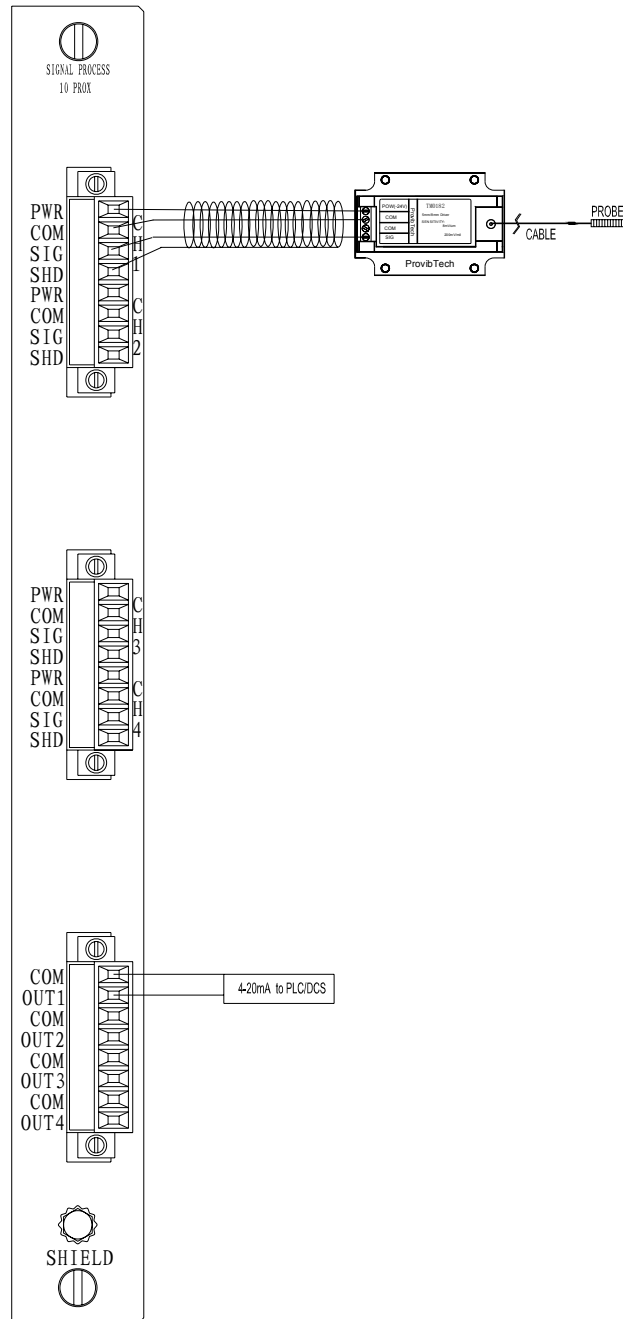




# PT2060 Monitor

## Field-wiring Diagram

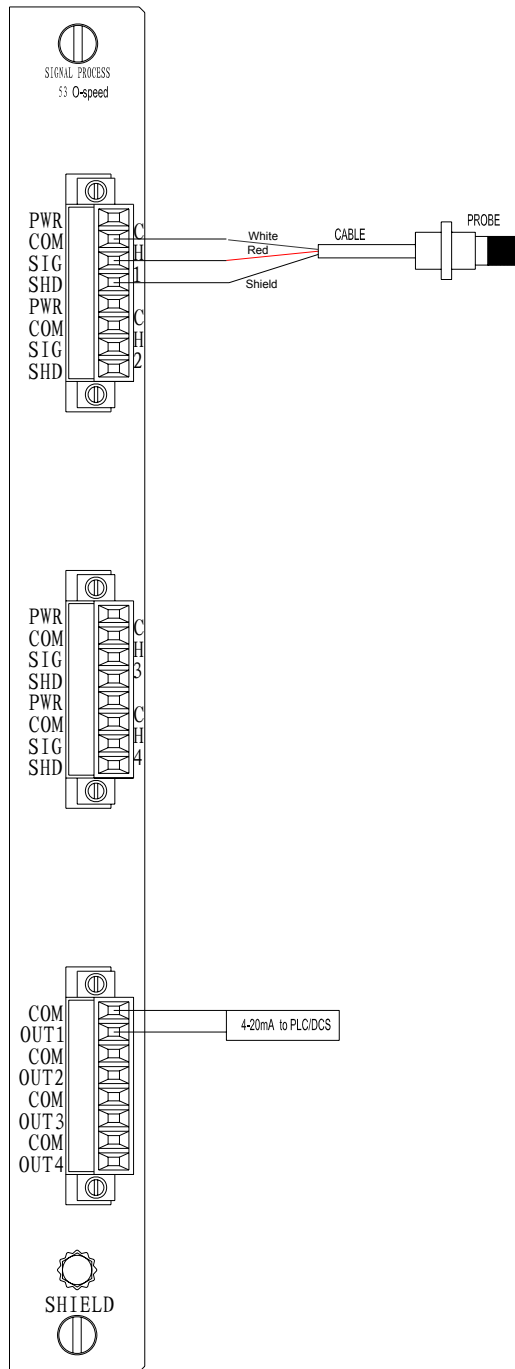
For all 5mm, 8mm and 11mm Probe Systems





# PT2060 Monitor

For Magnetic Pickup Systems







### PT2060/80 CM Condition Monitoring Module

ProvibTech's PT2060/80 CM condition monitoring module is a 24 channels data collector, and processing unit. Each of the PT2060/80 modules can accept any signal input from the corresponding signal module, analyze it, and output it.

PT2060/80 CM module can realize the following function:

- ✓ Dynamic data processing
- ✓ Transient data processing
- ✓ Interface to PCM360 condition monitoring software and database system

Each PT2060/80 CM module can process up to 24 channels of input signal and 2 channels of phase reference signal. When there is no 91 module in the PT2060 rack, the phase reference output channels of PT2060/80 CM module can not be used. A standard 19" PT2060 rack can hold up to two PT2060/80 CM modules. PT2060/80 CM module in left slot can receive the signal that come from signal module slot1-6, and the right one supports slot7-12. User can choose one PT2060/80 CM module or two as requirement. An 12" PT2060 rack can contain one PT2060/80 CM module only.

PT2060/80 receives signal through internal bus of the rack. Every Slot of the rack has 4 channels of analog signal connected to PT2060/80 CM module through internal bus. Four channels in slot 1 of the 19" rack are corresponding to 1-4 channels of PT2060/80 CM module installed in the slot 13; Four channels in slot 2 are corresponding to 5-8channels of PT2060/80 CM module installed in the slot 13, and the same, four channels in slot 6 are corresponding to channels 21-24 of PT2060/80 CM module installed in the slot 13; Four channels of slot 7 are corresponding to channels 1-4 of PT2060/80 CM module installed in the slot 14, while four channels in of slot 8 are corresponding to channels 5-8 of PT2060/80 CM module installed in the slot 14. And then, four channels of slot 12 are corresponding to channels 45-48 of PT2060/80 CM module installed in the slot 14. Four channels in slot 1 of 12 " rack are corresponding to channels 1-4 of PT2060/80 CM module installed in the slot 7, while four channels in



slot 2 are corresponding to channels 5-8 of PT2060/80 CM module installed in slot 13. And then, four channels in slot 6 are corresponding to 21-24 channels of 80 CM module installed in slot 13.

One slot of the PT2060 rack will be used by PT2060/30 module, if there is a PT2060/30 module in the rack, and there is no initial signal connected to PT2060/80 module. Four channels of PT2060/80 CM module corresponding to the slot that PT2060/30 module installed in will not be used though PT2060/30 module has 8 channels. As the same to PT2060/30, four channels of PT2060/80 CM module corresponding to PT2060/40/43 module will not be used. Also, four channels of PT2060/80 CM module corresponding to PT2060/96 module will not be used too. For example, if PT2060/30 is installed in slot 5, channels 17-20 of PT2060/80 CM module in slot 13(slot 7 for 12" rack) corresponding to slot 5 will not be used.

ProvibTech recommend that the modules needed for condition monitoring are put on the left of the rack near to slot 1 as possible as you can. As possible as



## PT2060 Monitor

you can, put PT2060/30/40/43/96 modules on the right of the modules which need condition monitoring. This can reduce the number of PT2060/80 module.

To the maximum, the two wire terminals of every PT2060/80 CM module can output 24 channels of analog signal and 2 channels of phase reference signal. The top terminal outputs analog signals of 1-12 channels and 2 channels of phase reference signal, while the terminal below outputs analog signals of 13-24 channels and 2 channels of phase reference signal. The signal output amplitude of PT2060/80 CM module is about half of the original signal output by sensor. If sensor original signal is needed, please connect the output signal of BNC terminal on the front panel of the module.

The main purpose of GP for PT2060/80 CM module is to make users conveniently to connect other condition monitoring system. Please refer to the following wiring diagram for the definition of wire connection terminal.

### Specifications

#### Environmental

Temperature:

Operation: -20°C to +65°C

Storage: -40°C to +85°C

Humidity:

95% non-condensing

#### Physical

PT2060/80 CM condition monitoring module has no front panel. PT2060/80 CM back panel is the only component.

Dimensions and Location:

241mm (9.5in) X 24.5mm (0.96in)

Each PT2060/80 CM module needs one slot. For a standard 19" rack, it can be mounted in slot 13, slot 14. For an 12" rack, it can be mounted in slot 7.

Weight:

0.4 kg (0.8 lb).

### Ordering Information

PT2060/80-AX

AX: Back-panel IO module

A0: Basic IO module for standard 19" Rack

A1: Basic IO module for standard 12" Rack

Optional Accessories:

PT2060-008000-AXX: Cable

It connects PT2060/80 CM to PCI6013 DAQ card or GP.

A00 2 meters (6.6 feet)

A01 10 meters (32.8 feet)

PT2060-008001: GP for PT2060/80 CM module

It is a special tool of port transform. If PT2060/80 CM module can't connect with other equipment by PT2060-008000 data wire directly, GP will be used.

PT2060-008003-AXX: Cable

It connects PT2060/80 CM to PCI6220 or PCI6250 DAQ card.

A00 2 meters (6.6 feet)

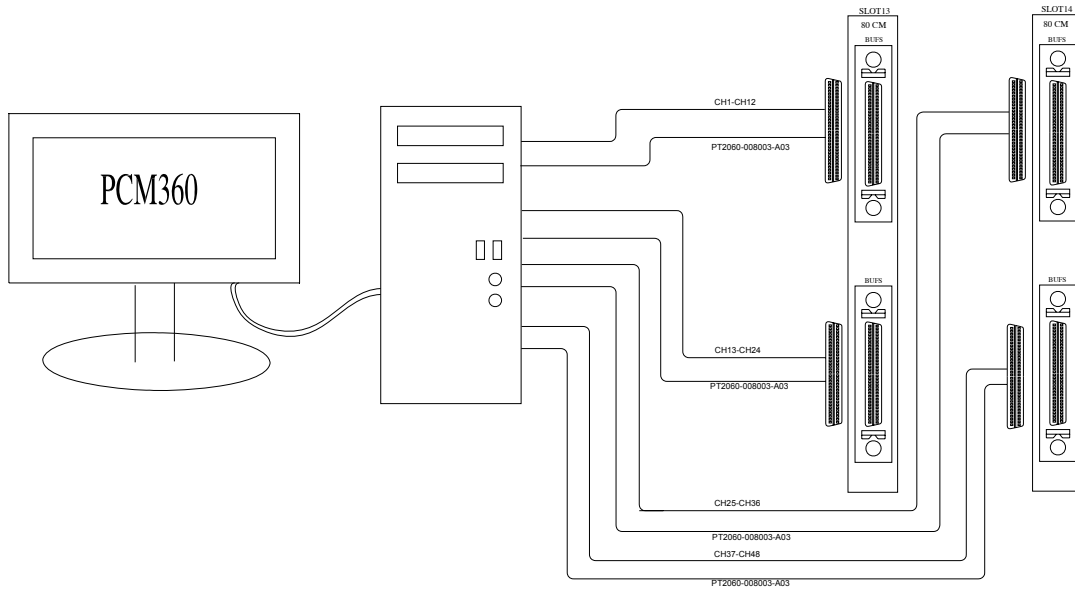
A01 10 meters (32.8 feet)



# PT2060 Monitor

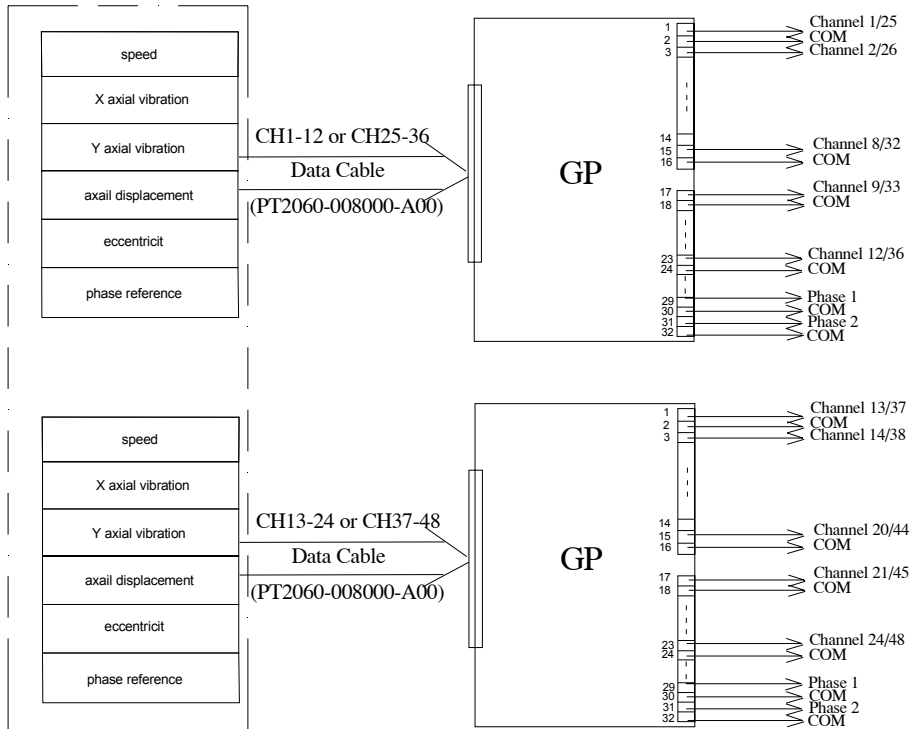
## Field-wiring Diagram

Connect to PCM360 System



Connect to GP

### PT2060/80 CM Module

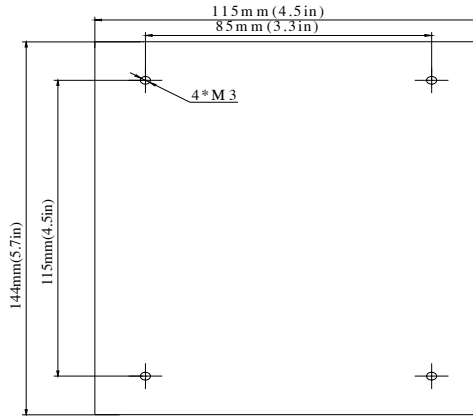




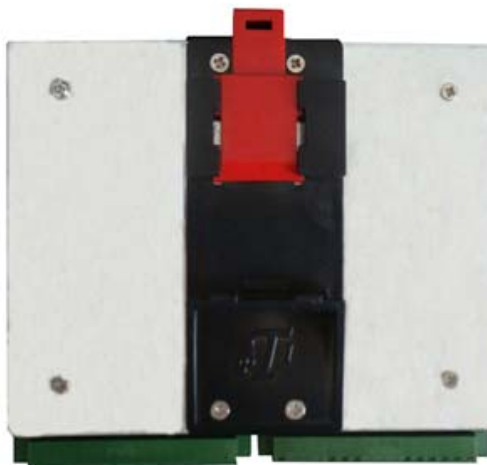
## Dimension of GP

GP is a general port transform tool. One port of it can connect to PT2060-008000 data wire, and the other port can connect to other system or equipment. It can be fixed on the DIN rail.

The signal come from PT2060/80 CM module enter into one GP port and go out by the other port, but it is without any changes.



Top View of GP



Bottom View of GP



### PT2060/90 POWER Power Supply Module

ProvibTech's PT2060/90 POWER module will provide system power to the PT2060/99 system rack and all modules installed in the system rack. The power module accepts the following power supply inputs: 24VDC, 110VDC, 110VAC and 220VAC.

If redundancy is required two PT2060/90 power modules are needed. The power supply module is a half-height module, meaning two PT2060/90 modules will fit in one slot. The PT2060/90 POWER module should be installed on the first slot from the right. If only one module is used it should be installed in the top half slot.



#### Specifications

##### Electrical

Power inputs:

24 VDC:

From 20 to 30VDC @16A

110VDC:

From 88 to 140VDC @6A

110VAC:

From 85 to 132VAC. Frequency from 47Hz to 63 Hz @6A

220VAC:

From 175 to 264VAC. Frequency from 47Hz to 63Hz @4A

LED Indicators:

OK: green

Approvals:

CE;

CSA:

Non-incendive, class I, div.2, GrpABCD, T4  
-40°C to +75°C

Certification Number: 2011996

##### Environmental

Temperature:

Operation: -20°C to +65°C

Storage: -40°C to +85°C

Humidity:

95% non-condensing

##### Physical

Each module comes with two components: the front panel assembly and the back panel assembly.

Dimensions and Location:

120mm (4.7in) X 49.5mm (1.9in)

A maximum of two PT2060/90 modules can be installed per PT2060/99 System Rack. The location of these modules is the first slot on the right side of the system rack, with one module installed on the top and the other installed on the bottom of the slot.

Weight:

1.0 kg (2.0 lbs)

#### Ordering Information

PT2060/90-AX-BX

AX: Top-half Power Supply

A0: None

A1: 175 – 264VAC

A2: 85 – 132VAC

A3: 88 – 140VDC

A4: 20 – 30VDC

BX: Bottom-half Power Supply (Required for Redundancy)

B0: None

B1: 175 – 264VAC

B2: 85 – 132VAC



## PT2060 Monitor

B3: 88 – 140VDC

B4: 20 – 30VDC

### Back Panel Connectors Layout

#### Optional Accessories:

PT2060-009000: PT2060/90 Front panel (175 - 264VAC)

PT2060-009001: PT2060/90 Back panel (175 - 264VAC)

PT2060-009002: PT2060/90 Front panel (85 - 132VAC)

PT2060-009003: PT2060/90 Back panel (85 - 132VAC)

PT2060-009004: PT2060/90 Front panel (88 - 140VDC)

PT2060-009005: PT2060/90 Back panel (88 - 140VDC)

PT2060-009006: PT2060/90 Front panel (20 - 30VDC)

PT2060-009007: PT2060/90 Back panel (20 - 30VDC)

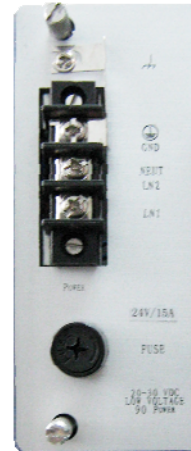
PT2060-009008: PT2060/90 Fuse 220V/4A (175 - 264VAC)

PT2060-009009: PT2060/90 Fuse 110V/6A (85 - 132VAC, 88 - 140VDC)

PT2060-009010: PT2060/90 Fuse 24V/16A (20 - 30VDC)

PT2060-009011: Front blank Panel

PT2060-009012: Back blank Panel

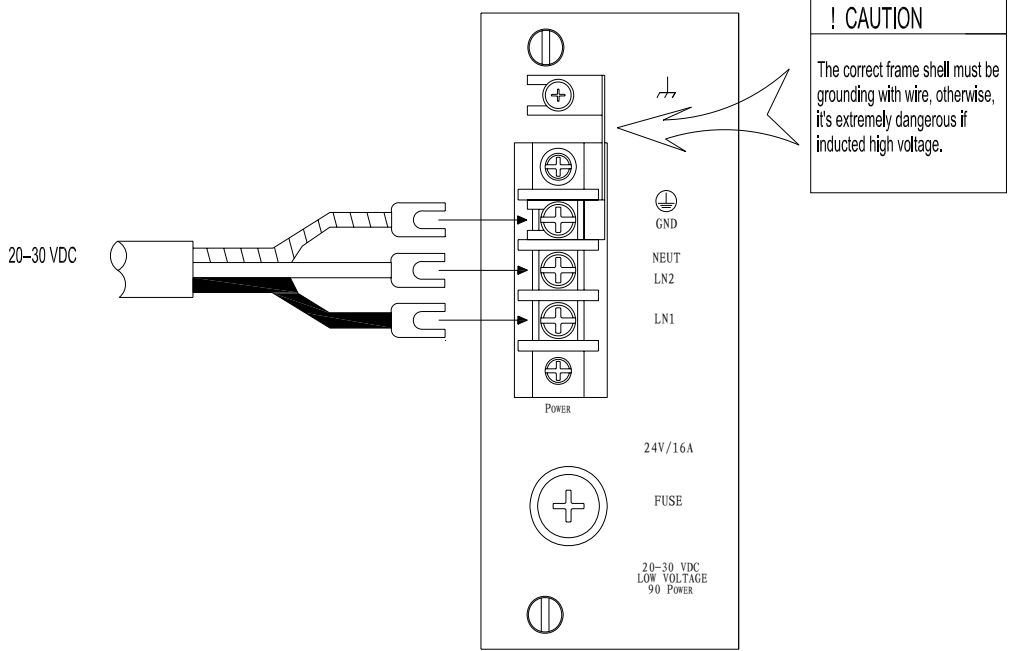




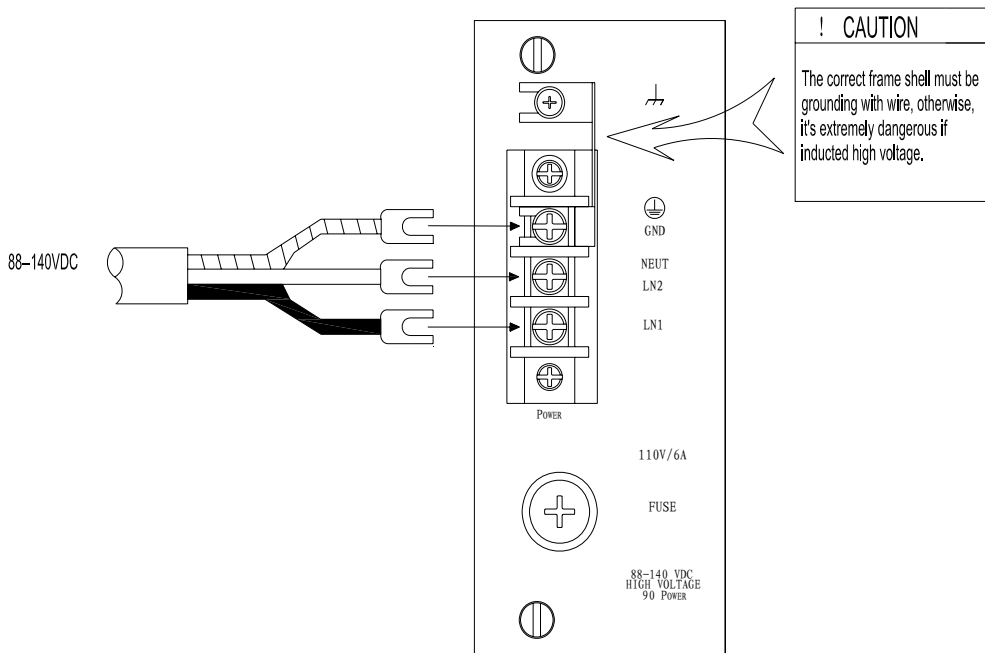
# PT2060 Monitor

## Field-wiring Diagram

### 24VDC (Low Voltage DC Power Supply)



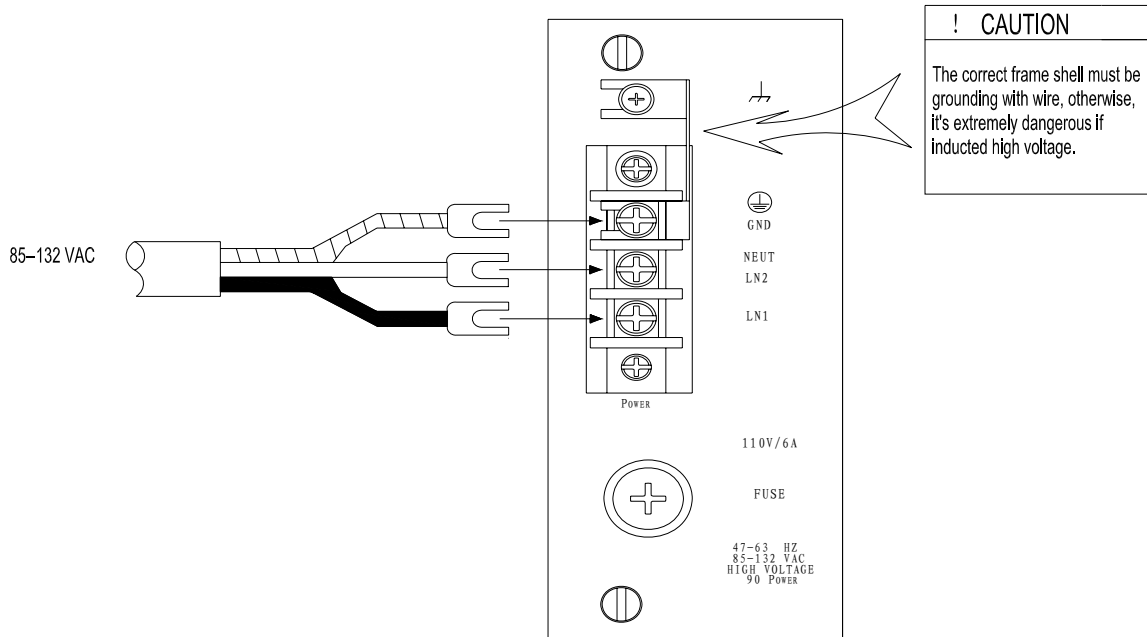
### 110VDC (High Voltage DC Power Supply)



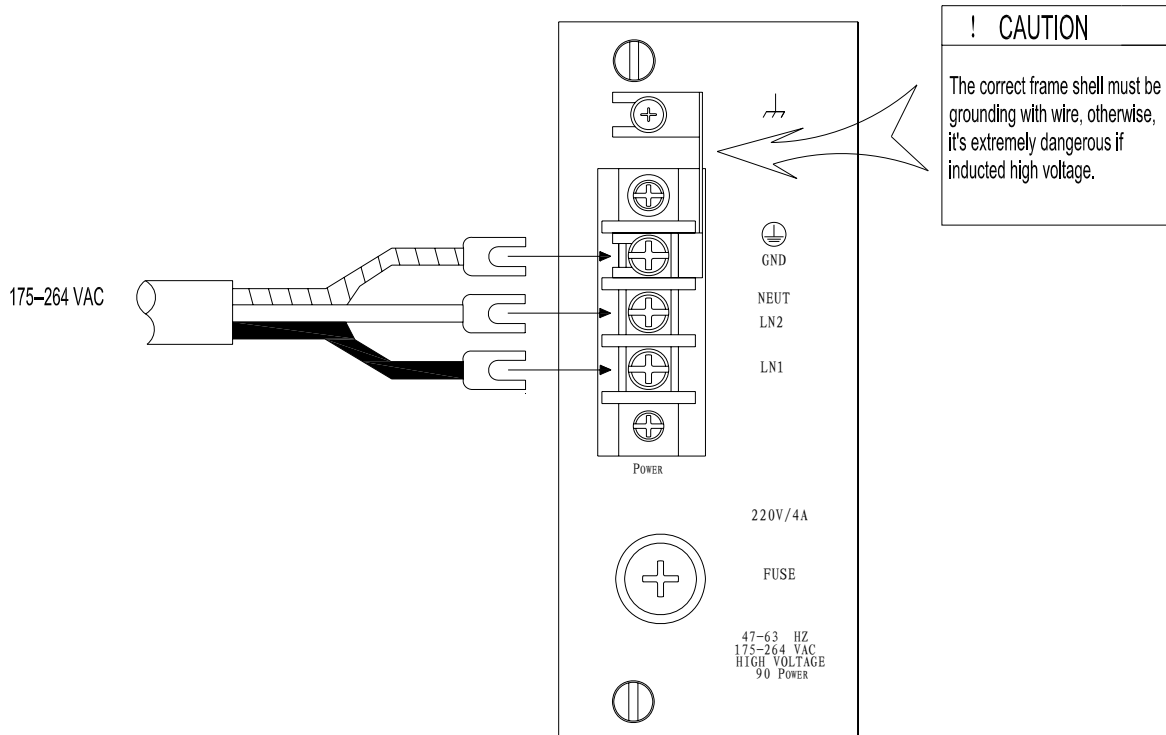


# PT2060 Monitor

## 110VAC (Low Voltage AC Power Supply)



## 220VAC (High Voltage AC Power Supply)







## PT2060/91 SIM System Interface Module

ProvibTech's PT2060/91 SIM module is a communication and system interface module. This module is used to:

- ✓ Connect to a configuration station
- ✓ Communicate to PT2060 system racks
- ✓ Communicate to other control systems (PLC/DCS or Historian)
- ✓ Provides two phase references channels
- ✓ Provide storage of system and alarm events
- ✓ Virtual address configuration

### Communication with Modbus

The PT2060/91 has one active Modbus communication port, two RS232, one RS485 port and one Ethernet port. They are available for connection flexibility which can be used to communicate to: PT2060 system racks, control systems (PLC/DCS or historian) configuration station (PC loaded with PT2060-CFG software) and more.

**Note:** If redundant communication or additional Modbus ports are required the PT2060/96 communication module needs to be added to the PT2060 system.

### Rack Interconnection

Multiple system racks can be networked together via Modbus through the SIM module.

### System Configuration

The PT2060-CFG software connected via Modbus through the SIM module enables configuration of the system rack, modules, and channels.

### System Event and Alarm Event Storage

The PT2060/91 SIM stores up to 500 system and 500 alarm events. This historical data can be accessed through one of the Modbus ports or through PT2060 system configuration software.

### Phase Reference

Dual phase reference is also provided on the SIM module. The two phase reference channels can be used to provide phase information for all the channels on the system rack.



## Specifications

### Electrical

Power supply:

Internally converted by the rack power supply module

8.0W total typical for each module

LED Indicators:

OK / IO: green

TRIP-MLT: red

BYPASS: red

CONFIG: green

Modbus communication:

RS-232 (2): one on front and one on back panel.

RS-485 (1): on the back panel of module. There is only one active Modbus communication port. The available baud rate values are: 1200, 2400, 4800, 9600, 19.2k, 38.4k and 115.2k baud. RS-485 cable can run up to maximum 1220 meters (4000ft).

Ethernet port (1): on the back panel of module. 10Mbps, IEEE802.3.



### **Electrical Continued**

#### System Alarm:

There will be a dedicated relay for indication of system OK status. This is an energized relay; a de-energized indicates a system error for one of the system components.

#### Relays:

Seal: Epoxy

Capacity: 2A/240VAC or 2A/24VDC, resistive load

Relay type: SPDT

Isolation: 1000VDC

#### Phase reference:

Phase reference signal Input:

Input impedance: > 20K $\Omega$

Input voltage range: 0 to -24VDC

#### Input frequency:

The PT2060/91 module will support 1 - 255 events per revolution with a maximum full scale range of 60000 RPM and a maximum input frequency of 10 kHz.

Start at 1RPM (0.0167Hz) for proximity probes

#### Sensors:

Proximity probes

#### Threshold:

Auto: > 1.0 V pk-pk

Manual: > 0.5 V pk-pk. Trigger level can be programmed from -17VDC to -3VDC

#### Hysteresis:

0.5 - 2.5 V user selectable

#### Phase reference Output:

On the front panel, each channel has one BNC connector. The output is the phase reference signal.

#### Output Impedance:

150 $\Omega$

#### Proximity Transducer Power:

-24VDC, current limited. Less than 50mA on each channel.

#### Approvals:

CE;

CSA:

Non-incendive, class I, div.2, GrpABCD, T4  
-40 $^{\circ}$ C to +75 $^{\circ}$ C

Certification Number: 2011996

### **Environmental**

#### Temperature:

Operation: -20 $^{\circ}$ C to +65 $^{\circ}$ C

Storage: -40 $^{\circ}$ C to +85 $^{\circ}$ C

#### Humidity:

95% non-condensing

### **Physical**

Each module comes with two components- the front panel assembly and the back panel assembly.

#### Dimensions and Location:

241mm (9.5in) X 24.5mm (0.96in)

This module has to be located in the second slot from the right hand side of the rack. Note: there is only one SIM module per system rack.

#### Weight:

1.0 kg (2.0 lbs)

### **Ordering Information**

#### PT2060/91-AX

AX: System IO Type

A0: Modbus RTU RS-485/ RS-232 module (with PT2060-009102)

A1: Modbus TCP module (with PT2060-009105 -A00)

#### Optional Accessories:

PT2060-009100

SCALANCE X-108: 8-port industrial unmanaged Ethernet switch, wide temp. Produced by Siemens Co., Ltd. The switch is used to connect many computers and other network device. It can provide 8 Ethernet ports, and support 10/100M. Provibtech suggests that user should choose two TM900 which provide redundancy 24VDC power for PT2060-009100(SCALANCE X-108).

#### Feature:

Provides 8 Fast Ethernet ports with Auto MDI/MDI-X

Supports 10/100Mbps Auto Negotiation

Provides compact size with DIN-rail/Wallmount

Supports redundant 18~32 VDC power input

Diagnosis on device by means of LEDs (power, link status,data traffic) and signal contact

Simple fault signal contact set-up using the SET button



## PT2060 Monitor

Supports wide operating temperatures from  
-20~70°C

PT2060-009101

USB to RS-485 Converter with PT2060-009106-  
A00 communication Cable.

PT2060-009102

USB to RS-232 Converter with PT2060-009107  
-A00 cross communication cable.

PT2060-009103

RS-485 HUB

PT2060-009104-AXX

Hub to PT2060/91/96 Ethernet internet Cable  
RJ45

AXX: Cable length

A00	3 meters	(9.8 feet)
A01	15 meters	(49.2 feet)
A02	75 meters	(246 feet)

PT2060-009105-AXX

PLC, DCS to Pt2060/91/96 Ethernet direct  
communication Cable RJ45 Port

AXX: Cable length

A00	3 meters	(9.8 feet)
A01	15 meters	(49.2 feet)
A02	75 meters	(246 feet)

PT2060-009106-AXX

USB to RS-485 Converter to PT2060/91/96 serial  
communication Cable RS-485

AXX: Cable length

A00	3 meters	(9.8 feet)
A01	15 meters	(49.2 feet)
A02	100 meters	(328 feet)

PT2060-009107-AXX

PC to PT2060/91/96 cross serial communication  
Cable RS-232

AXX: Cable length

A00	1.5 meters	(5 feet)
-----	------------	----------

PT2060-009108-AXX

PT2060/91/96 to RS485 HUB cable RS-485

AXX: Cable length

A00	3 meters	(9.8 feet)
A01	15 meters	(49.2 feet)
A02	100 meters	(328 feet)

PT2060-009109-AX

AX: Panel type

A0: PT2060/91 Modbus RTU RS-485/  
RS-232 Front panel

A1: PT2060/91 Modbus TCP Front panel

PT2060-009110-AX

AX: Panel type

A0: PT2060/91 Modbus RTU RS-485/  
RS-232 back panel

A1: PT2060/91 Modbus TCP back panel

TM900-GX

TM900 is used to provide 24VDC power with  
PT2060-009100(SCALANCE X-108), please  
refer to appendix for detail.

GX: Mount

G0: 35mm DIN-rail mount

G1: Plate mount



RS485 HUB



*Back Panel Connectors Layout*

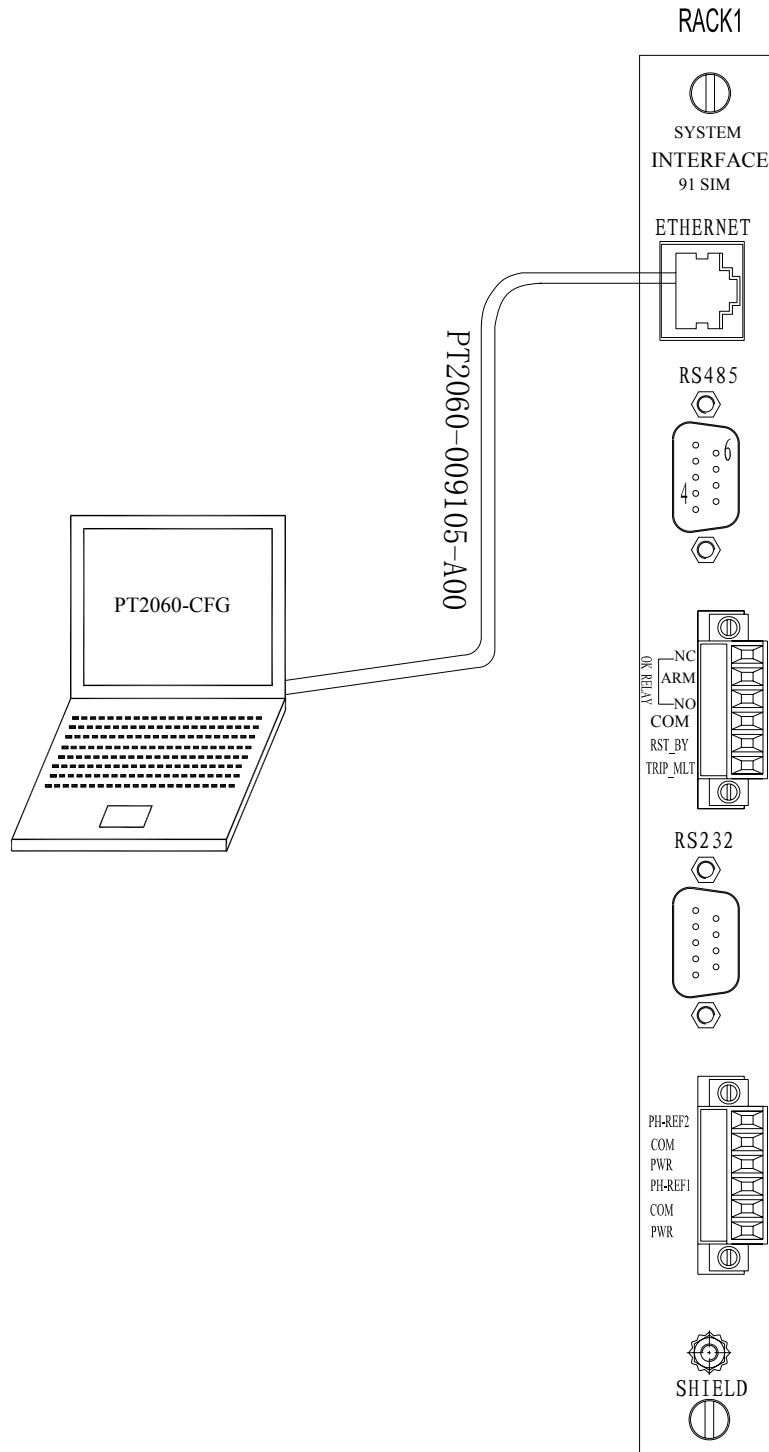




# PT2060 Monitor

## Field-wiring Diagram

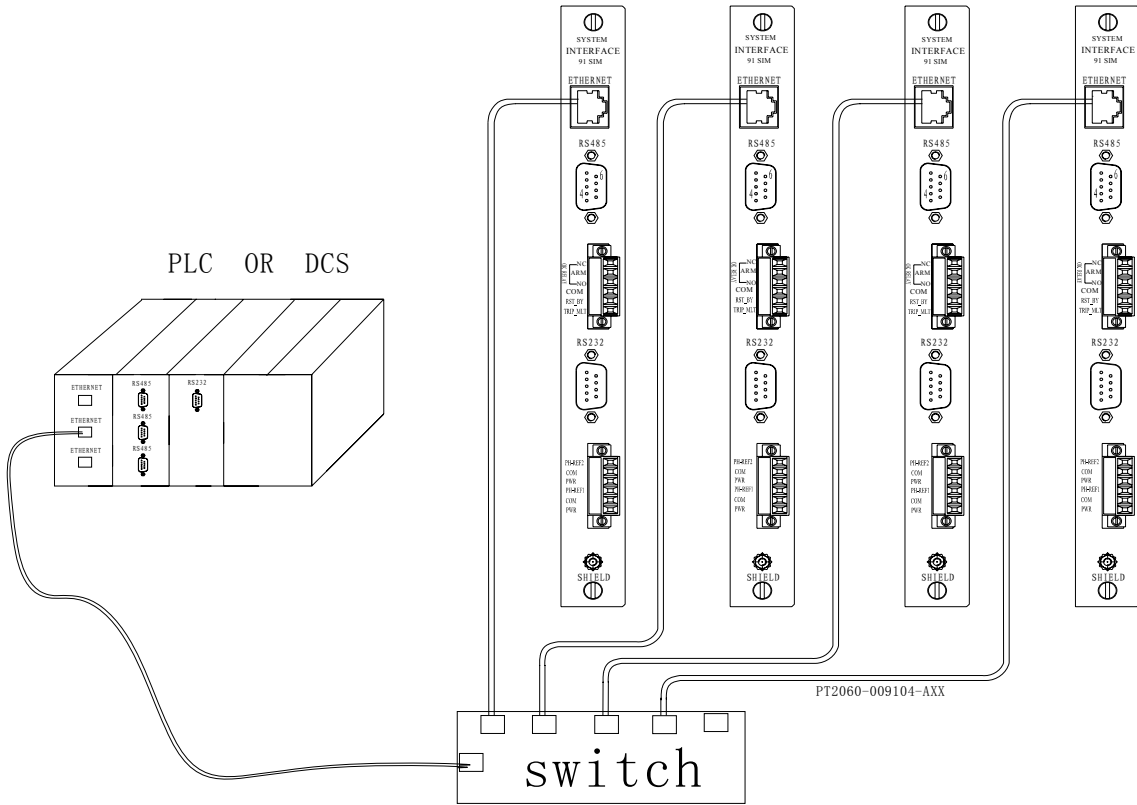
Modbus TCP for System Configuration



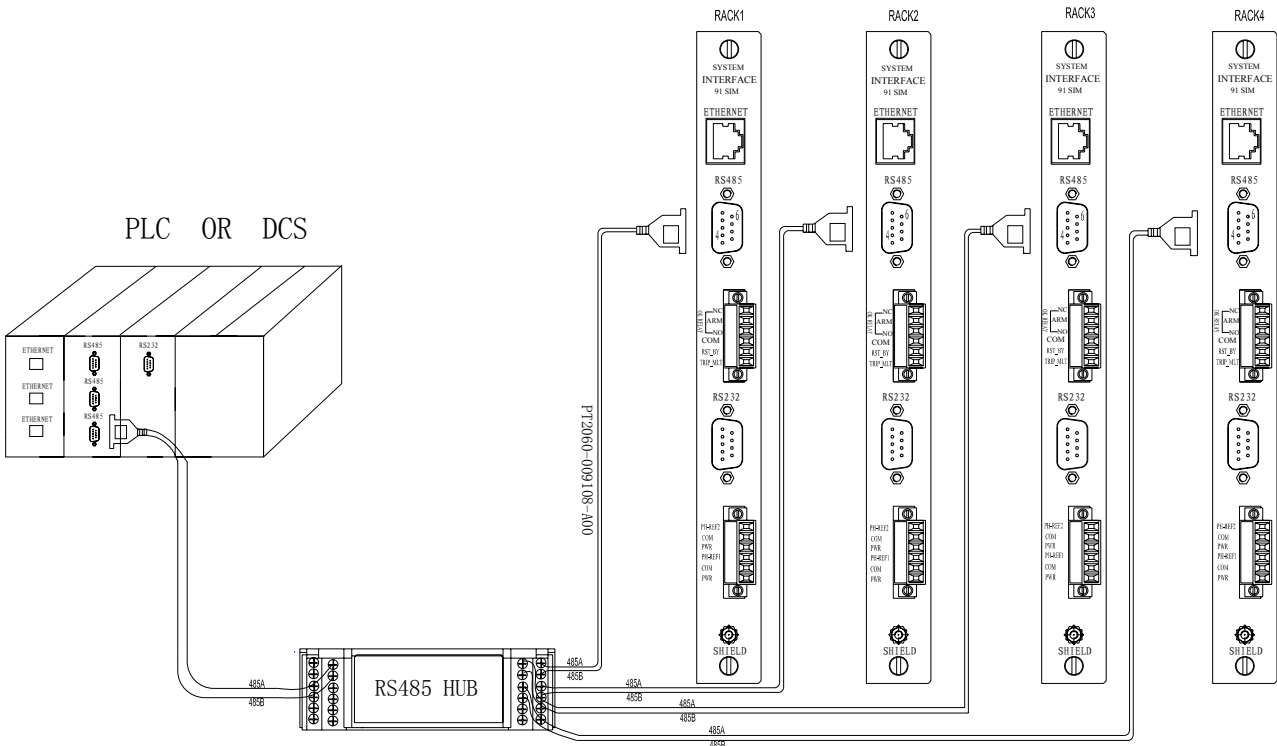


# PT2060 Monitor

## Modbus TCP for DCS, PLC Communication

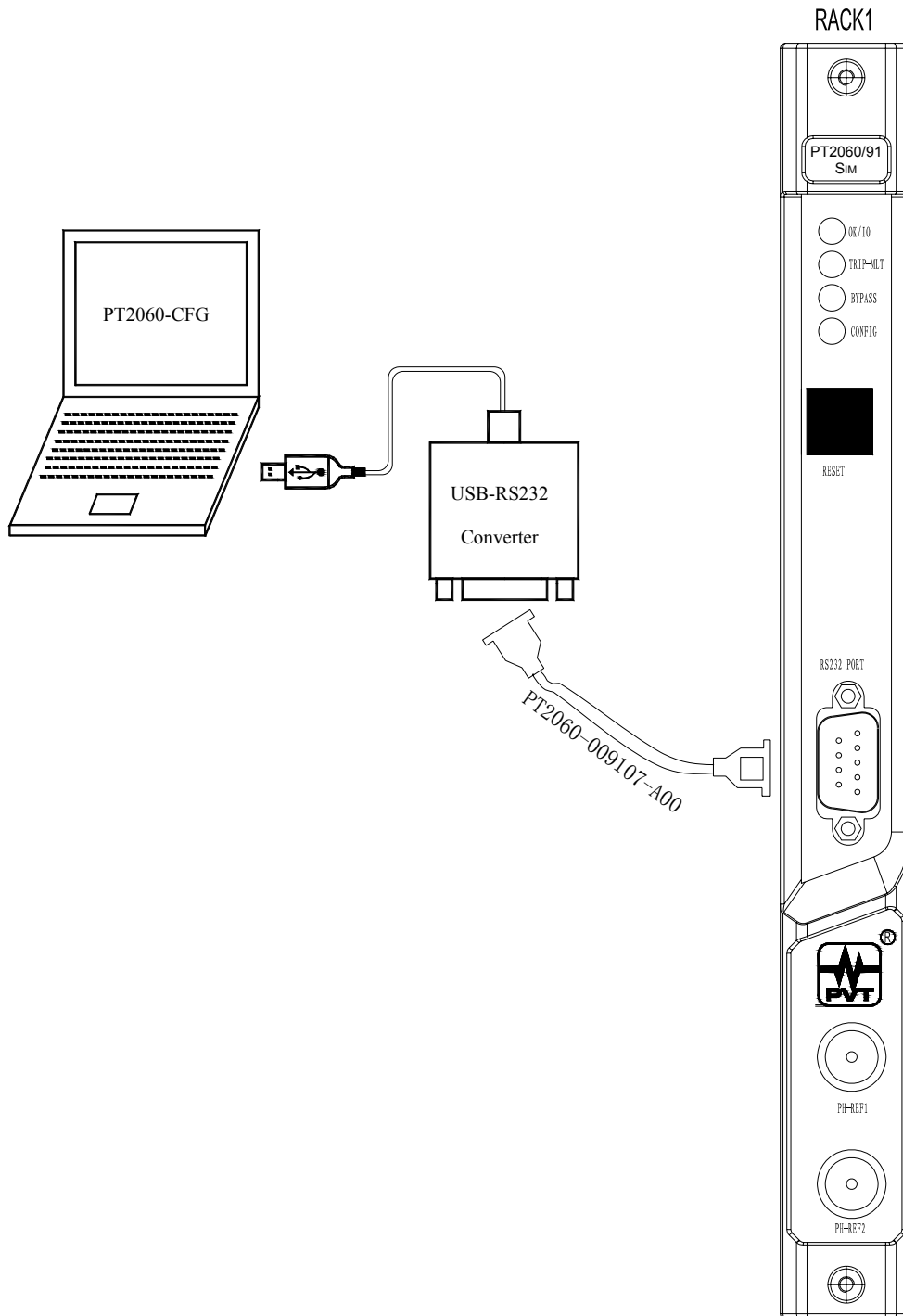


## Modbus RS-485 for DCS, PLC Communication





Modbus RS-232 for System Configuration





## PT2060/96 COMM Communication/ Phase Reference Module

ProvibTech's PT2060/96 COMM communication/ Phase Reference module is a Modbus communication and phase reference module. The PT2060/96 provides one additional Modbus communication port (either RS232 or RS485).

For your PT2060 System, if you require redundant communications or an additional Modbus port, you need to select this module.

- ✓ Provides additional Modbus communication port either (RS232 or RS485 or Ethernet)

### Redundancy in communication

Coupled together with the PT2060/ 91 SIM module the PT2060/96 COMM module provides redundant Modbus communications for the PT2060 system.

### Additional communication ports

If additional digital communication ports are required to communicate to other devices (PT2060 system racks, configuration PC, control systems (PLC/DCS) or the PT2060/98 System Display) the PT2060/96 COMM module would be needed.



## Specifications

### Electrical

Power supply:

Internally converted by the rack power supply module

8.0W total typical for each module

LED Indicators:

OK: green

Modbus communication:

RS-232 (2): on back panel of module.

RS-485 (1): on the back panel of module. There is only one active Modbus communication port. The available baud rate values are: 1200, 2400, 4800, 9600, 19.2k, 38.4k and 115.2k baud. RS-485 cable can run up to maximum 1220 meters (4000ft).

Ethernet port (1): on the back panel of module. 10Mbps, IEEE802.3.

Approvals:

CE;

CSA:

Non-incendive, class I, div.2, GrpABCD, T4

-40°C to +75°C

Certification Number: 2011996

### Environmental

Temperature:

Operation: -20°C to +65°C

Storage: -40°C to +85°C

Humidity:

95% non-condensing

### Physical

Each module comes with two components- the front panel assembly and the back panel assembly.

Dimensions and Location:

241mm (9.5in) X 24.5mm (0.96in)

For 19" rack, they can be mounted in any one slot from 1 to 12.

For 12" rack, they can be mounted in any one slot from 1 to 6.

Weight:





1.0 kg (2.0 lbs)

## Ordering Information

PT2060/96-AX

AX: System IO Type

A0: Modbus RTU RS-485/ RS-232 module with  
PT2060-009108-A00

A1: Modbus TCP module

Optional Accessories:

PT2060-009100

SCALANCE X-108: 8-port industrial unmanaged Ethernet switch, wide temp. Produced by Siemens Co., Ltd. The switch is used to connect many computers and other network device. It can provide 8 Ethernet ports, and support 10/100M. Provibtech suggests that user should choose two TM900 which provide redundancy 24VDC power for PT2060-009100(SCALANCE X-108).

### **Feature:**

Provides 8 Fast Ethernet ports with Auto MDI/MDI-X

Supports 10/100Mbps Auto Negotiation

Provides compact size with DIN-rail/ Wallmount

Supports redundant 18~32 VDC power input

Diagnosis on device by means of LEDs (power, link status,data traffic) and signal contact

Simple fault signal contact set-up using the SET button

Supports wide operating temperatures from -20~70°C

PT2060-009101

USB to RS-485 Converter with PT2060-009106-A00 communication Cable.

PT2060-009102

USB to RS-232 Converter with PT2060-009107-A00 cross communication cable.

PT2060-009103

RS-485 HUB.

PT2060-009104-AXX

Hub to PT2060/91/96 Ethernet internet Cable RJ45

AXX: Cable length

A00 3 meters (9.8 feet)

A01 15 meters (49.2 feet)

A02 75 meters (246 feet)

PT2060-009105-AXX

PLC, DCS to Pt2060/91/96 Ethernet direct communication Cable RJ45 Port

AXX: Cable length

A00 3 meters (9.8 feet)

A01 15 meters (49.2 feet)

A02 75 meters (246 feet)

PT2060-009106-AXX

USB to RS-485 Converter to PT2060/91/96 serial communication Cable RS-485

AXX: Cable length

A00 3 meters (9.8 feet)

A01 15 meters (49.2 feet)

A02 100 meters (328 feet)

PT2060-009107-AXX

PC to PT2060/91/96 cross serial communication Cable RS-232

AXX: Cable length

A00 1.5 meters (5 feet)

PT2060-009108-AXX

PT2060/91/96 to RS485 HUB cable RS-485

AXX: Cable length

A00 3 meters (9.8 feet)

A01 15 meters (49.2 feet)

A02 100 meters (328 feet)

PT2060-009600-AX

AX: Panel type

A0: PT2060/96 Modbus RTU RS-485/ RS-232 Front panel

A1: PT2060/96 Modbus TCP Front panel

PT2060-009601-AX

AX: Panel type

A0: PT2060/96 Modbus RTU RS-485/ RS-232 back panel

A1: PT2060/96 Modbus TCP back panel

TM900-GX

TM900 is used to provide 24VDC power with PT2060-009100(SCALANCE X-108), please refer to appendix for detail.

GX: Mount

G0: 35mm DIN-rail mount

G1: Plate mount



*Back Panel Connectors Layout*

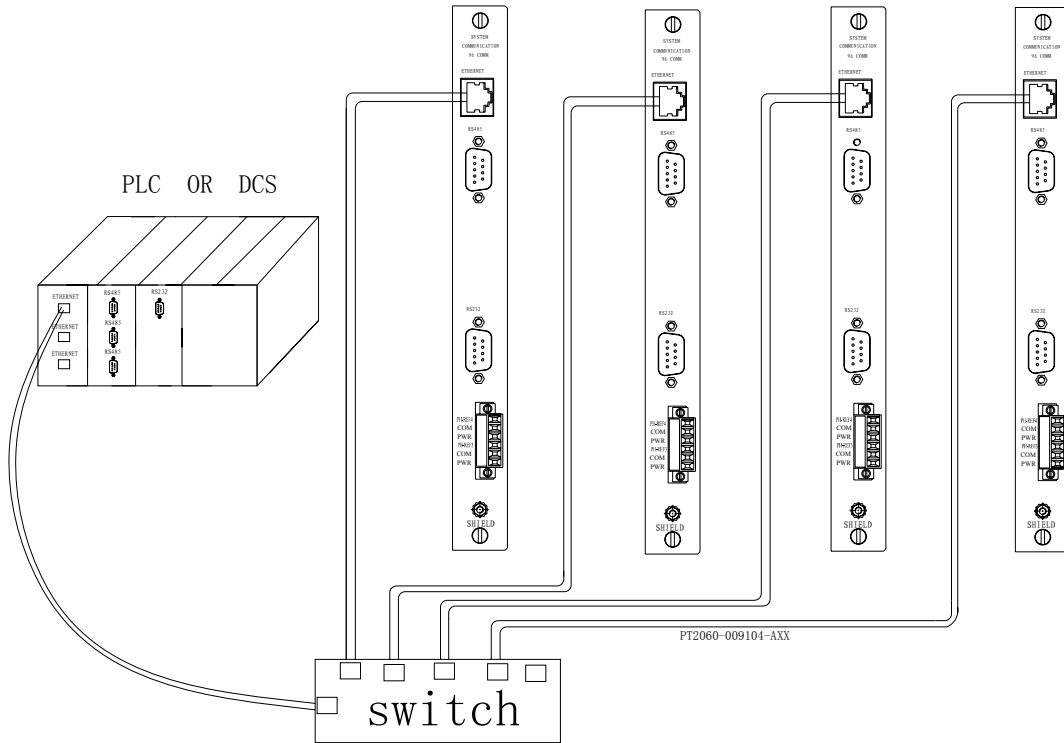




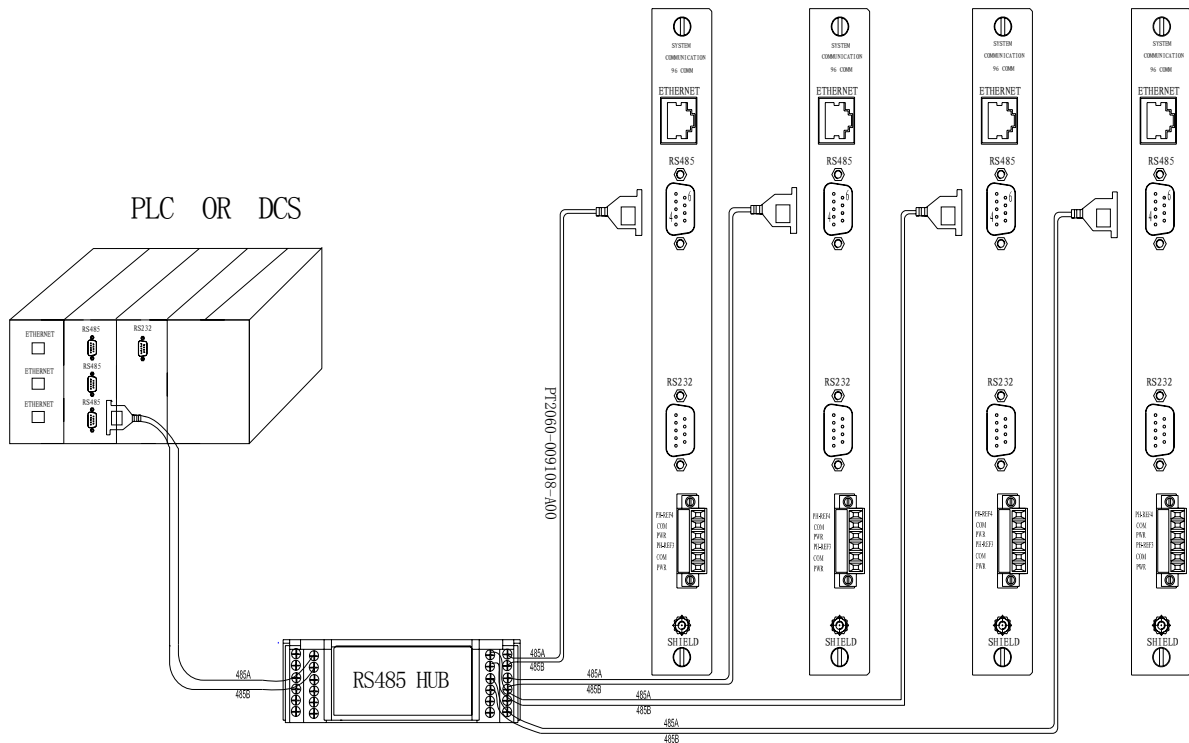
# PT2060 Monitor

## Field-wiring Diagram

### Modbus TCP for DCS, PLC Communication



### Modbus RS485 for PLC, DCS Communication





## PT2060/98 DISP Display System

Pro vibTech's PT2060/98 DISP display system is a powerful touch-panel display loaded with PCM370 vibration analysis system software. The PT2060/98 DISP connects to the PT2060 system via Modbus. The PCM370 software will collect, store, analyze and display the machinery status data locally or to a wide area network.

- ✓ ID each channel, and arrange the routing
- ✓ Setup data collection strategy
- ✓ Display machine photo and real-time data and status on top of the photo
- ✓ Real-time bar graph/ status list/ alarm status of each channel
- ✓ Alarm events
- ✓ Trend plot on each channel
- ✓ Touch-panel for easy operation
- ✓ Network to control systems (PLC/DCS or Historian) via Modbus

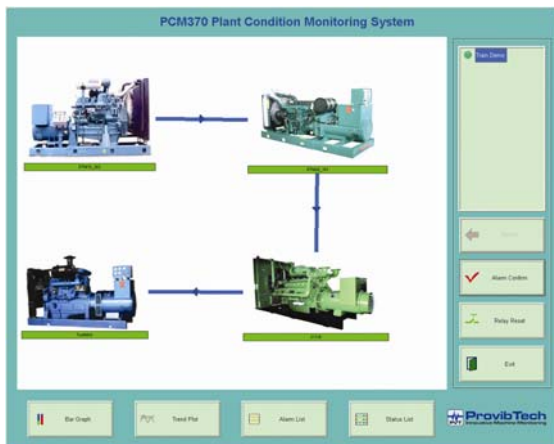
### Specifications

#### Electrical

Touch Screen PC power supply:

110VAC: From 85 to 132VAC. Frequency from 47Hz to 63 Hz @4A

230VAC: From 175 to 264VAC. Frequency from 47Hz to 63Hz @4A



#### Environmental

Temperature:

Operation: 0°C to +60°C

Storage: -20°C to +85°C

Humidity:

95% non-condensing

#### Physical

Touch panel, color 15" PC

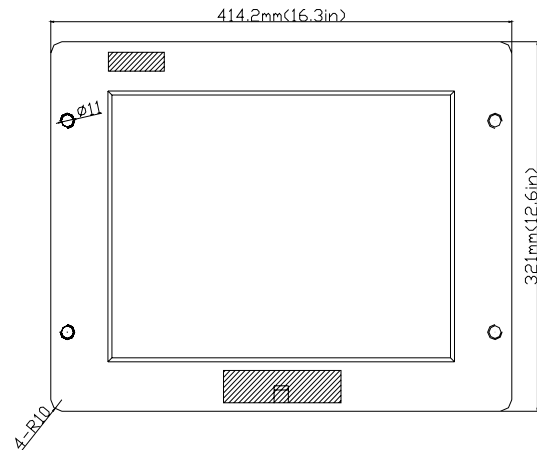
Mounting size: H: 321 mm (12.6")

W: 414.20 mm (16.3")

Touch panel, color 15" PC

Mounting size: H: 321 mm (12.6")

W: 414.20 mm (16.3")



321 mm (12.6") X 414.20 mm (16.3")

### Ordering Information

**Warning:** only work with PT2060/91 or PT2060/96 module

PT2060/98-BX

BX: Touch panel with PCM370 for PT2060 software

B0: No touch panel (only include PCM370 for PT2060 software)

B1: PCM-T-15-230 15" Touch panel with 230VAC power

B2: PCM-T-15-110 15" Touch panel with 110VAC power

Optional Accessories:

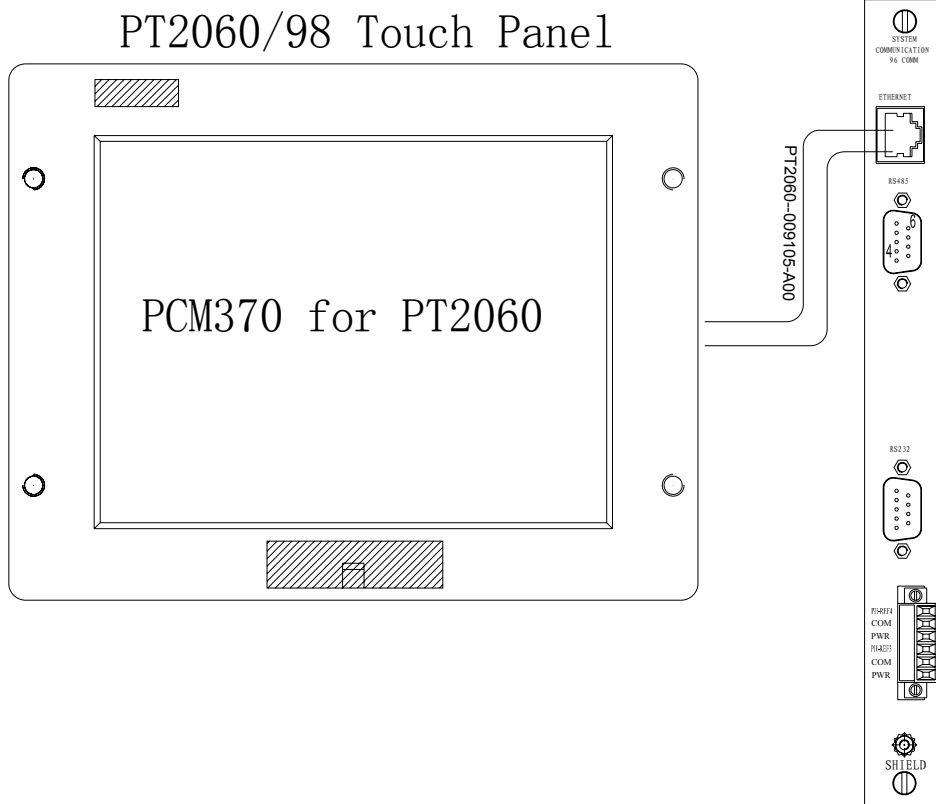
PT2060-009800: HP dvd1040e external DVD writer.

PT2060-009801: Windows xp English version

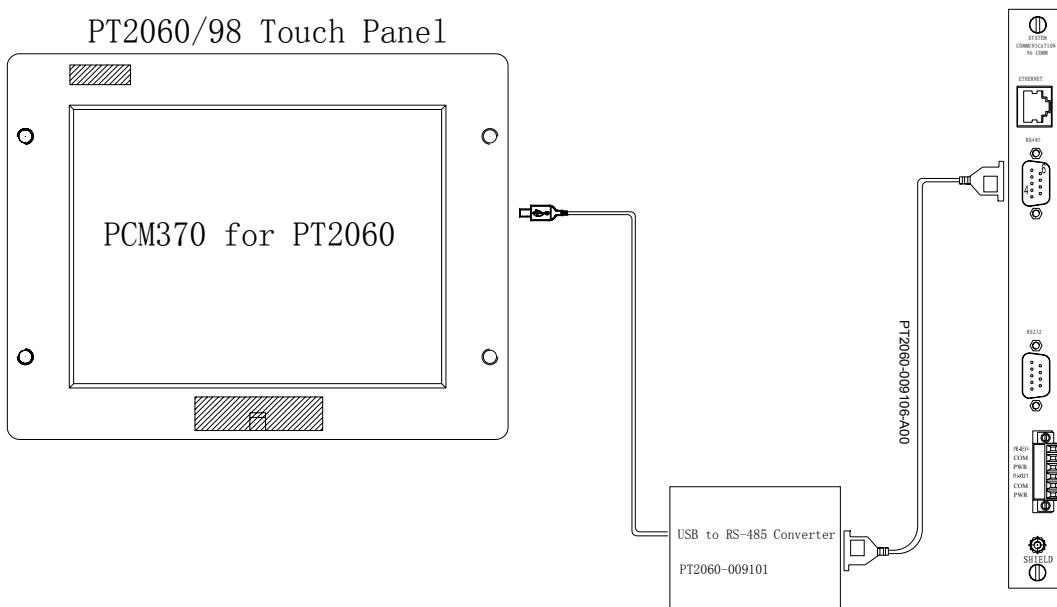


# PT2060 Monitor

Connect PT2060/98 with PT2060/96 via Ethernet



Connect PT2060/98 with PT2060/96 via USB to RS485 Converter





## PT2060/99 System Rack

There are two sorts of PT2060 rack: a standard 19" rack and a 12" rack. The standard 19" rack is a rack with the same dimensions as a standard 19" industrial rack.

One standard 19" rack contains a total of 16 slots. Two slots in the PT2060/99 are designated for system power (PT2060/90) modules and communication (PT2060/91) module. Two slots in the PT2060/99 are designated for PT2060-80 modules. The remaining 12 slots may be used for any combination of signal processing modules, relay modules and communication modules. The rack can process channels up to 48.

One 12" rack can contain 9 slots at most. The first slot from right is designated for system power (PT2060/90) module. The second slot from right is designated for communication (PT2060/91) module. The third slot from right is designated for PT2060-80 module. The remaining 6 slots may be used for any combination of signal processing modules, relay modules and communication modules. The rack can process channels up to 24.

Each PT2060/99 contains a data highway communication backplane which is located in the middle of the system rack. All modules plug into this backplane which enables communication and power to the individual modules.

For triple redundancy or over speed applications the standard 19" rack has the flexibility to be segregated into three groups: slot 1-4, slot 5-8 and slot 9-12. The 12" rack has one group only: slot 1-4.

**Note:** For each group, the relay module has to be mounted in the first slot on the right.

### Specifications

#### Environmental

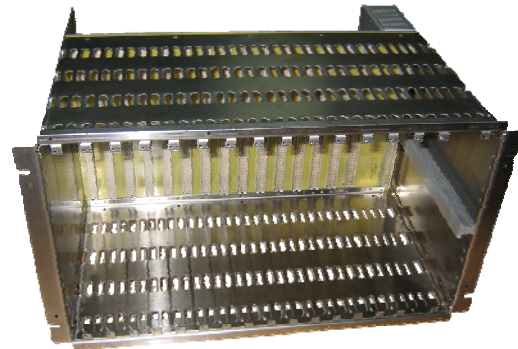
Temperature:

Operation: -20°C to +65°C

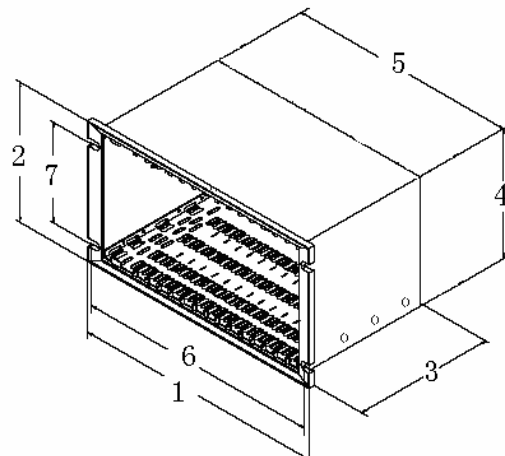
Storage: -40°C to +85°C

Humidity:

95% non-condensing



### Physical



#### Dimensions for the standard 19" rack

1. 483mm (19.0")
2. 266mm (10.5")
3. 355mm (14.0")
4. 246mm (9.7")
5. 442mm (17.4")
6. 465mm (18.3")
7. 190mm (7.5")

#### Dimensions for the 12" rack

1. 304 mm (12.0")
2. 266mm (10.5")
3. 355mm (14.0")
4. 246mm (9.7")
5. 264mm (10.4")
6. 277mm (10.9")
7. 190mm (7.5")



## Ordering Information

PT2060/99-AX

AX:

A0: Standard 19" rack

A1: Standard 12" rack

Optional Accessories:

PT2060-009900: Plastic frame for 19" Rack

PT2060-009901: Plastic frame for 12" Rack

PT2060-009902: Rack cover for 19" Rack

PT2060-009903: Rack cover for 12" Rack

PT2060-009904: Bolt for all front panel

PT2060-009905: Front blank panel

PT2060-009906: Back blank panel





## PT2060-CFG System Configuration Software

### General Information

PT2060-CFG is the “easy to use” system configuration software tool used to set up and monitor the PT2060 system. The software requires Windows XP or Windows 2000 operating system. PT2060- CFG provides the following functions:

#### System Configuration

- ✓ System Setup
- ✓ Rack Communication
- ✓ Modbus Communication
- ✓ Calibration of the system, module and channels

#### Module Configuration

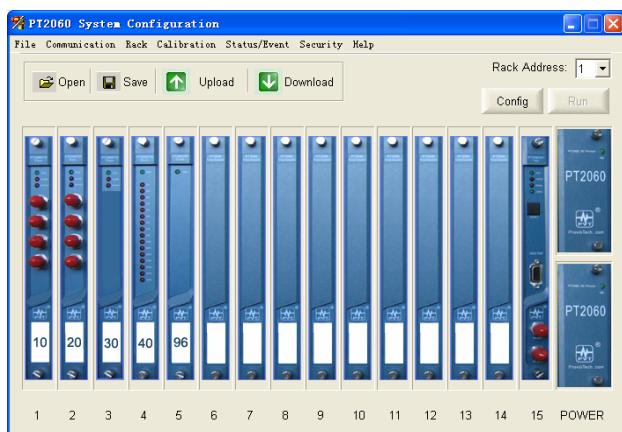
- ✓ Trip Multiply
- ✓ Bypass
- ✓ Module Reset

#### Channel Configuration

- ✓ Full Scale Range
- ✓ Alarm Set- Point
- ✓ Calibration of the System

#### Reporting

- ✓ Alarm and System Events
- ✓ Real-Time Values
- ✓ Channel, Module and Rack Status



### Ordering Information

PT2060-CFG-AX

A0:

- Configuration software CD include USB to RS232 converter driver
- User Manual

Optional Accessories:

PT2060-009100

SCALANCE X-108: 8-port industrial unmanaged Ethernet switch, wide temp. Produced by Siemens Co., Ltd. The switch is used to connect many computers and other network device. It can provide 8 Ethernet ports, and support 10/100M. Provibtech suggests that user should choose two TM900 which provide redundancy 24VDC power for PT2060-009100(SCALANCE X-108).

#### Feature:

- Provides 8 Fast Ethernet ports with Auto MDI/MDI-X
- Supports 10/100Mbps Auto Negotiation
- Provides compact size with DIN-rail/ Wallmount
- Supports redundant 18~32 VDC power input
- Diagnosis on device by means of LEDs (power, link status,data traffic) and signal contact
- Simple fault signal contact set-up using the SET button
- Supports wide operating temperatures from -20~70°C

PT2060-009101

USB to RS-485 Converter with PT2060-009106-A00 communication Cable.

PT2060-009102

USB to RS-232 Converter with PT2060-009107-A00 cross communication cable.

PT2060-009103

RS-485 HUB

PT2060-009104-AXX

Hub to PT2060/91/96 Ethernet internet Cable RJ45

AXX: Cable length

A00 3 meters (9.8 feet)

A01 15 meters (49.2 feet)

A02 75 meters (246 feet)

PT2060-009105-AXX

PLC, DCS to Pt2060/91/96 Ethernet direct





communication Cable RJ45 Port

AXX: Cable length

A00	3 meters	(9.8 feet)
A01	15 meters	(49.2 feet)
A02	75 meters	(246 feet)

PT2060-009106-AXX

USB to RS-485 Converter to PT2060/91/96 serial communication Cable RS-485

AXX: Cable length

A00	3 meters	(9.8 feet)
A01	15 meters	(49.2 feet)
A02	100 meters	(328 feet)

PT2060-009107-AXX

PC to PT2060/91/96 cross serial communication Cable RS-232

AXX: Cable length

A00	1.5 meters	(5 feet)
-----	------------	----------

PT2060-009108-AXX

PT2060/91/96 to RS485 HUB cable RS-485

AXX: Cable length

A00	3 meters	(9.8 feet)
A01	15 meters	(49.2 feet)
A02	100 meters	(328 feet)

TM900-GX

TM900 is used to provide 24VDC power with PT2060-009100(EKI-2528I), please refer to appendix for detail.

GX: Mount

G0: 35mm DIN-rail mount

G1: Plate mount



### Appendix: TM900 Power Converter

The output of the power converter is isolated from its input. Additionally, the output is short-circuit protected and the input is ESD and fuse protected.

Humidity:  
90% non-condensing

#### Specifications

##### **Electrical**

- AC Power Input:  
90-250VAC@200mA
- Power Output:  
Voltage: 24VDC±5%  
Current: 800mA
- Isolation:  
1000VAC
- Fuse:  
2.0A, 250VAC

##### **Physical**

- Dimensions: Height: 75mm (2.95")
- Weight: 1.0kg (2.0 lbs)

##### **Environmental**

- Temperature:  
Operation: -40oC to +75oC.  
Storage: -50°C to +100°C



##### **Certification**

CE certified with EMC compliance

##### **Ordering Information**

- TM900–GX (\* Factory default)
- GX: Mount
- G0\*: 35mm DIN rail mount
- G1: Plate mount

