



## PT580 Digital Vibration Switch

### Introduction

The PT580 Digital Vibration Switch is designed to be the “one stop shop” for all vibration switch applications. The PT580 is fully programmable, suitable for harsh environments and hazardous areas. It has a universal mounting feature, wide operating temperature range, dual alarms, 4-20mA output, Modbus communication, and works with an internal or a remote sensor.

### Applications

- ✓ Pumps
- ✓ Motors
- ✓ Industrial Fans
- ✓ Heat Exchangers/ Cooling Towers
- ✓ Engines
- ✓ Reciprocating Compressors
- ✓ Centrifuges
- ✓ Rock or Coal Crushers

### Features

- ✓ The first digital vibration switch
- ✓ Direct replacement for mechanical switches with universal mounting plates and studs
- ✓ Fully programmable
- ✓ 4-20mA output and Modbus
- ✓ Dual alarms with relays or triacs
- ✓ Works with internal or external sensor
- ✓ “Smart Design” universal power supply
- ✓ Wide operating temperature range of -40°C to +85°C (-40°F to +185°F)
- ✓ NEMA 4X, IP65 environmental rating
- ✓ Hazardous area approvals: CSA, CE, PCEC
- ✓ Additional API 670 features: trip-multiply, bypass, programmable alarm delay etc.

### Specifications

#### Frequency Range:

Internal sensor: 2 - 1,000 Hz  
External sensor: 2 - 2,000 Hz

#### Alarms: Dual alarms

Dry-contact relay: 5A 230VAC/115VAC or 5A 30VDC  
Triac: 5A 230VAC. Optically Isolated, Standard NC



**Temperature Limit:** -40°C to +85°C (-40 °F to +185 °F)

#### Power Supply:

95 - 250VAC @ 100mA, 50 - 60Hz, or  
22 - 30VDC @ 200mA

**Enclosure:** Cast Aluminum (copper free)

**Coating:** Standard plastic coating for all cased aluminum parts outside. Mounting plate, mounting stud and local reset are 304 stainless steel.

**Environmental Rating:** NEMA 4X, IP65

**Hazard Rating:** See order information

#### Programming (customer selects the option):

Fully programmable with software or  
Pre-configured at factory

### Physical

#### Temperature:

Operation: -40°C to +85 °C (-40 °F to +185 °F)  
Storage: -50°C to +120°C (-58°F to +248°F)

#### Dimensions:

See attached drawing

#### Weight:

1.4kg (3 lbs)



## Order Information

### PT580-ABC-DEF-GGHI

#### A: Alarms\*\*\*

- A = 0\*: Dual SPDT Relays
- A = 1: Single SPDT Relay
- A = 2: Single SPST Triac, NO
- A = 3: Dual SPST Triacs, NO
- A = 4: Single SPST Triac, NC
- A = 5: Dual SPST Triacs, NC
- A = 6: None

#### B: Conduit Entries

- B = 0\*: 3/4" NPT
- B = 1: M20x1.5

#### C: Mounting Plate or Mounting Stud

- C = 0\*: Mounting Plate PT500-13
- C = 1: Mounting Plate PT500-14
- C = 2: Mounting Stud 3/4" NPT
- C = 3: Mounting Stud M20x1.5

#### D: Local Display

- D = 0\*: With display (No Local Reset)
- D = 1: No display (No Local Reset)
- D = 2: No display (With Local Reset)

#### E: Hazardous Area Approval

- E = 0\*: CE Mark
- E = 1: Multiple approvals:
  - CSA: Class I, Div 1, Groups B, C, D, T4 & T6
  - T4@Ta= -40°C to +100°C
  - T6@Ta= -40°C to +70°C
  - CERTIFICATE: 2079756
  - PCEC: ExdIICT4
  - CE Mark
- E = 2: Multiple approvals (D=1 only) :
  - CSA: Class I, Div 1, Groups A, B, C, D, T4 & T6
  - T4@Ta= -40°C to +100°C
  - T6@Ta= -40°C to +70°C
  - CERTIFICATE: 2079756
  - PCEC: ExdIICT4
  - CE Mark

#### F: Outputs/Communication

- F = 0: None
- F = 1\*: 4-20mA
- F = 2: Modbus
- F = 3: 4-20mA and Modbus

#### GG: Full Scale

- GG = 09: 0 - 5.0g pk
- GG = 10: 0 - 10.0g pk
- GG = 11: 0 - 20.0g pk

- GG = 13: 0 - 200 um pk-pk (with H=2)
- GG = 14: 0 - 250 um pk-pk (with H=2)
- GG = 15: 0 - 500 um pk-pk (with H=2)
- GG = 16: 0 - 10 mil pk-pk (with H=2)
- GG = 17: 0 - 20 mil pk-pk (with H=2)
- GG = 20: 0 - 12.5 mm/s pk
- GG: Full Scale continued
- GG = 21: 0 - 20mm/s pk
- GG = 22: 0 - 25mm/s pk
- GG = 23: 0 - 50mm/s pk
- GG = 24: 0 - 100mm/s pk
- GG = 30: 0 - 12.5 mm/s rms
- GG = 31: 0 - 20mm/s rms
- GG = 32\*: 0 - 25mm/s rms
- GG = 33: 0 - 50mm/s rms
- GG = 34: 0 - 100mm/s rms
- GG = 40: 0 - 0.5ips pk
- GG = 41: 0 - 1.0ips pk
- GG = 42: 0 - 2.0ips pk
- GG = 43: 0 - 4.0ips pk
- GG = 50: 0 - 0.5ips rms
- GG = 51: 0 - 1.0ips rms
- GG = 52: 0 - 2.0ips rms
- GG = 53: 0 - 4.0ips rms

#### H: Sensors

- H = 0\*: Internal accelerometer
- H = 1: TM0782A or accelerometer with 100mV/g (purchase separately)
- H = 2: TM0793V or velocity sensors with 4.0 mV/mm/s (purchase separately)

#### I: Power Supply

- I = 0\*: 115VAC or 230VAC
- I = 1: 24VDC

#### Note:

\* Factory default

\*\*\* The default setting is alarm non-latching. Alarm delays 6s and relay works in non-energized mode.

## Optional Accessories

### PT580-CFG-K

Configuration and calibration software kit includes:

- ✓ PT580-CFG configuration software CD
- ✓ RS485-USB converter with cable
- ✓ User manual

### PT580-CFG

Configuration and calibration software only includes:



- ✓ PT580-CFG configuration software CD
- ✓ User manual

### **RS485-USB**

Cable with RS485 to USB connections for configuration with laptop computer

### **DTM-96**

The system interface module converts the modbus output from the PT580 to an isolated RS232, RS422 or RS485 protocol for communication with PLC or DCS. Each DTM-96 can connect up to 32 PT580 switches.

### **PCM370**

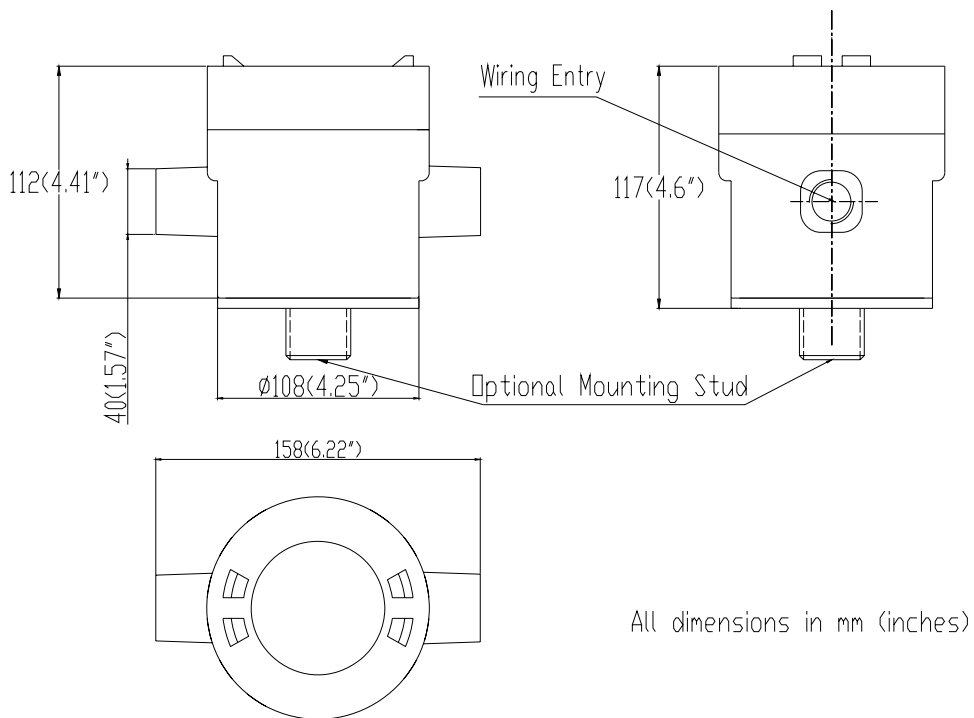
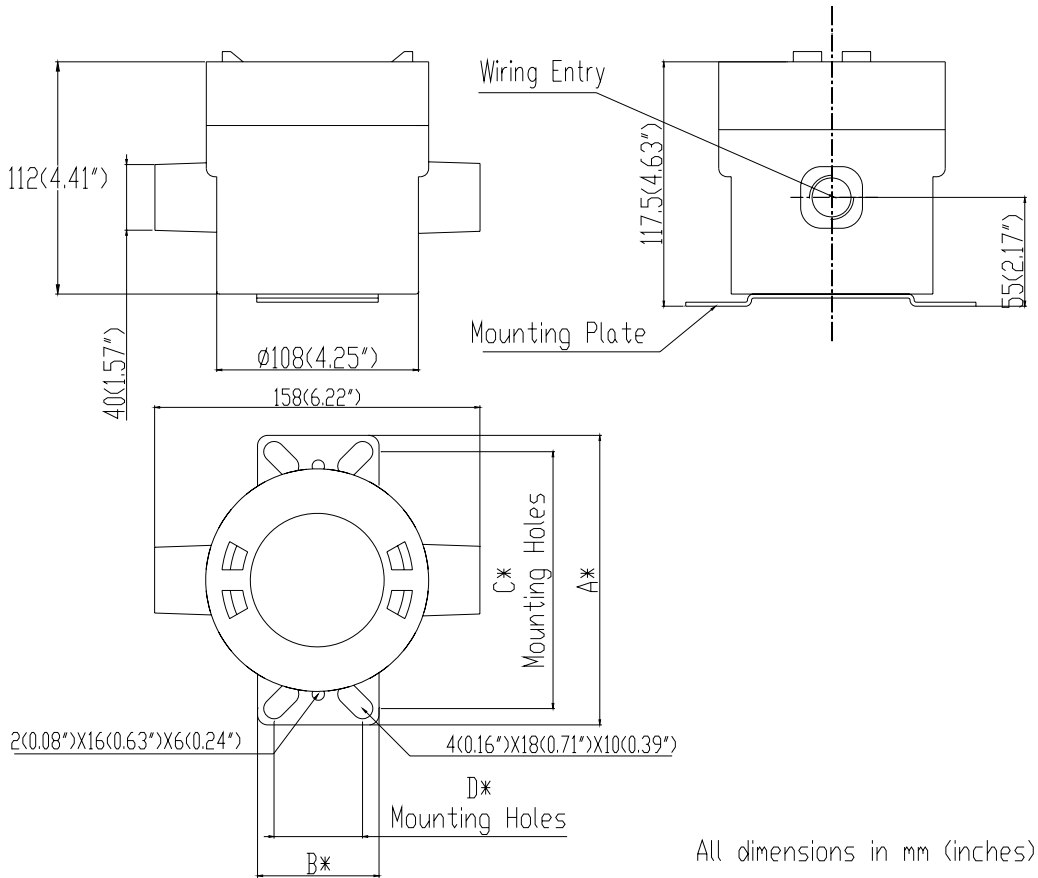
The PCM370 condition monitoring software is ideal for plant wide condition monitoring. The PCM370 requires the DTM96 to communicate with the PT580.

### **PCM-TOUCH**

Touch panel PC with IP65 rating. Ideal to work with PCM370 and PT580-CFG.

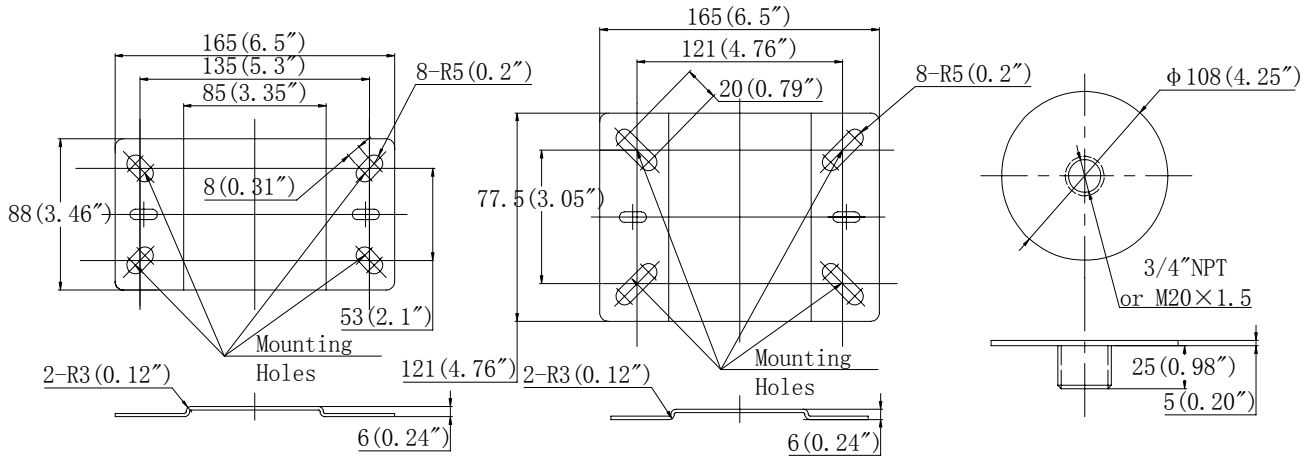


**Mechanical Outline Drawing**





**Mounting Plate, Mounting Studs**



All dimensions in mm (inches)

**PT500-13**

**PT500-14**

**PT500-15 (3/4" NPT)**

**PT500-17 (M20×1.5)**

**Accessories**

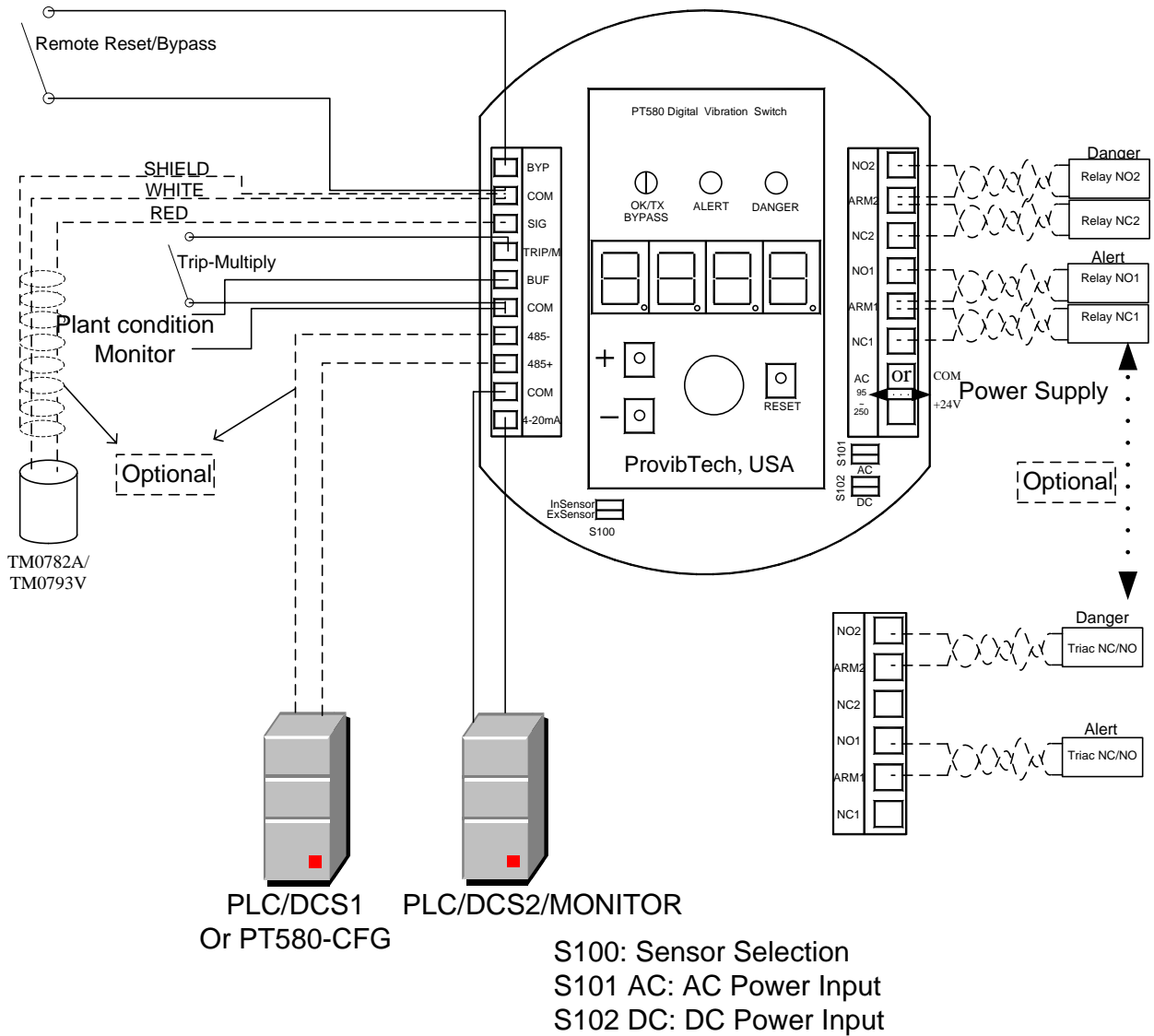


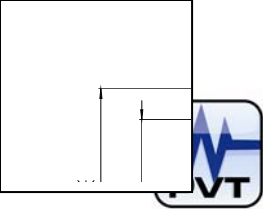
**3/4" NPT seal**

**PT500-18**

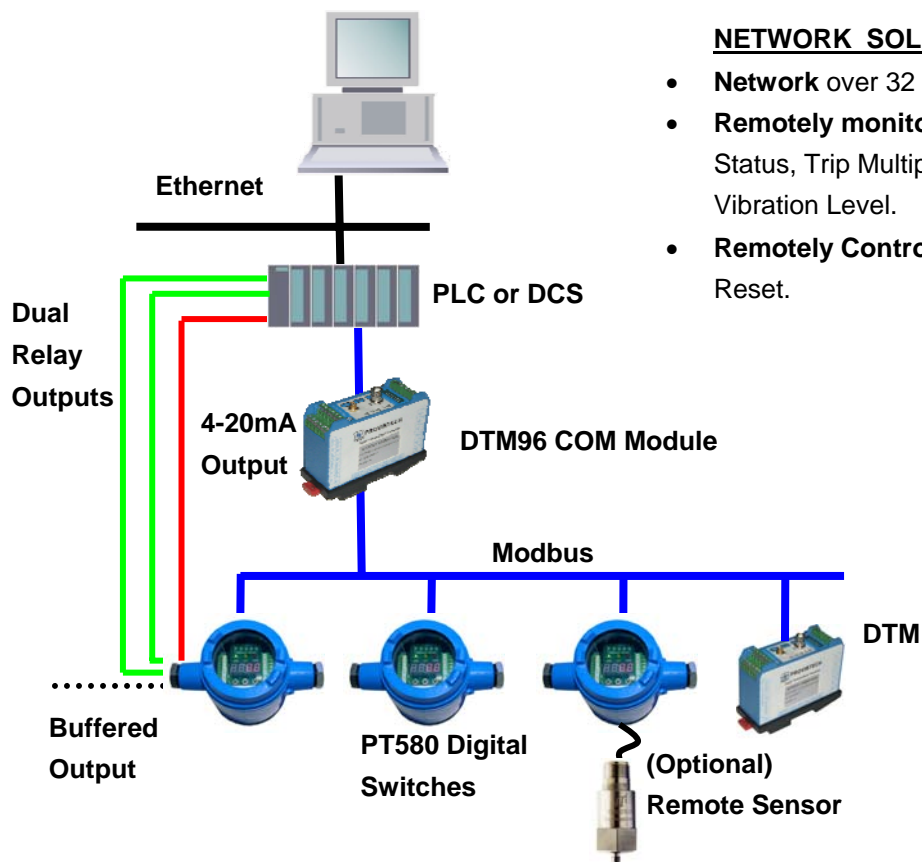


**Field-Wiring Diagram**





**Communication Diagram**



**NETWORK SOLUTIONS**

- **Network** over 32 ProvibTech devices together.
- **Remotely monitor:** Alarm and Channel OK Status, Trip Multiply, Bypass and Overall Vibration Level.
- **Remotely Control:** Trip Multiply, Bypass and Reset.

**Traditional Solution**

- 4-20mA
- Relay Outputs
- Modbus

